

Thanks for your patronage!
Before using this product, please read the details of operation manual!

TECHNICAL PARAMETERS

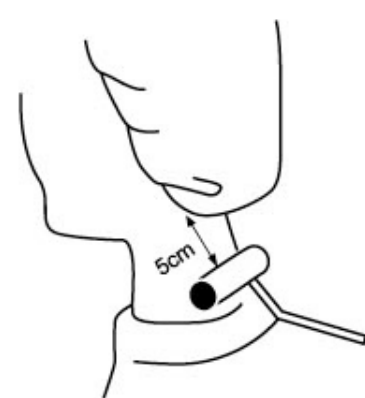
Standing type: DL.H177
Wall mounted type: DL.WH177
110-120V~ 50/60Hz 750W
220~240V~ 50/60Hz 750W

To get the best results out of PHANTOM and to make customers feel comfortable under PHANTOM, please follow steps illustrated hereunder.

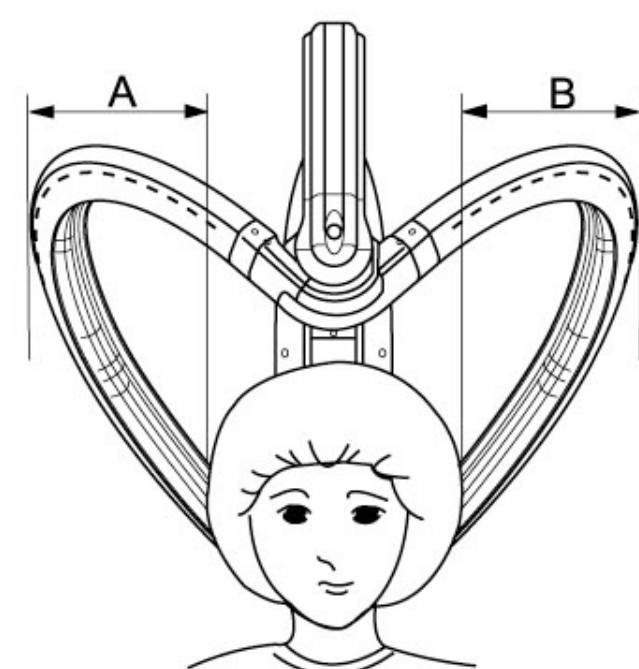
Step 1

● Use the sliding pipe to adjust the height of PHANTOM, PHANTOM should be adjusted at 5cm(2") at the position guide from rear of the neck.

● When using wall mounted PHANTOM, use the handle to move PHANTOM, do not use the arm to move.

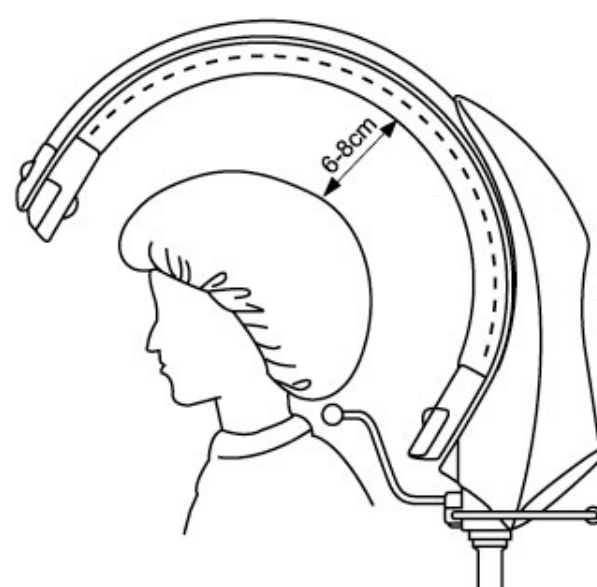


Step 2



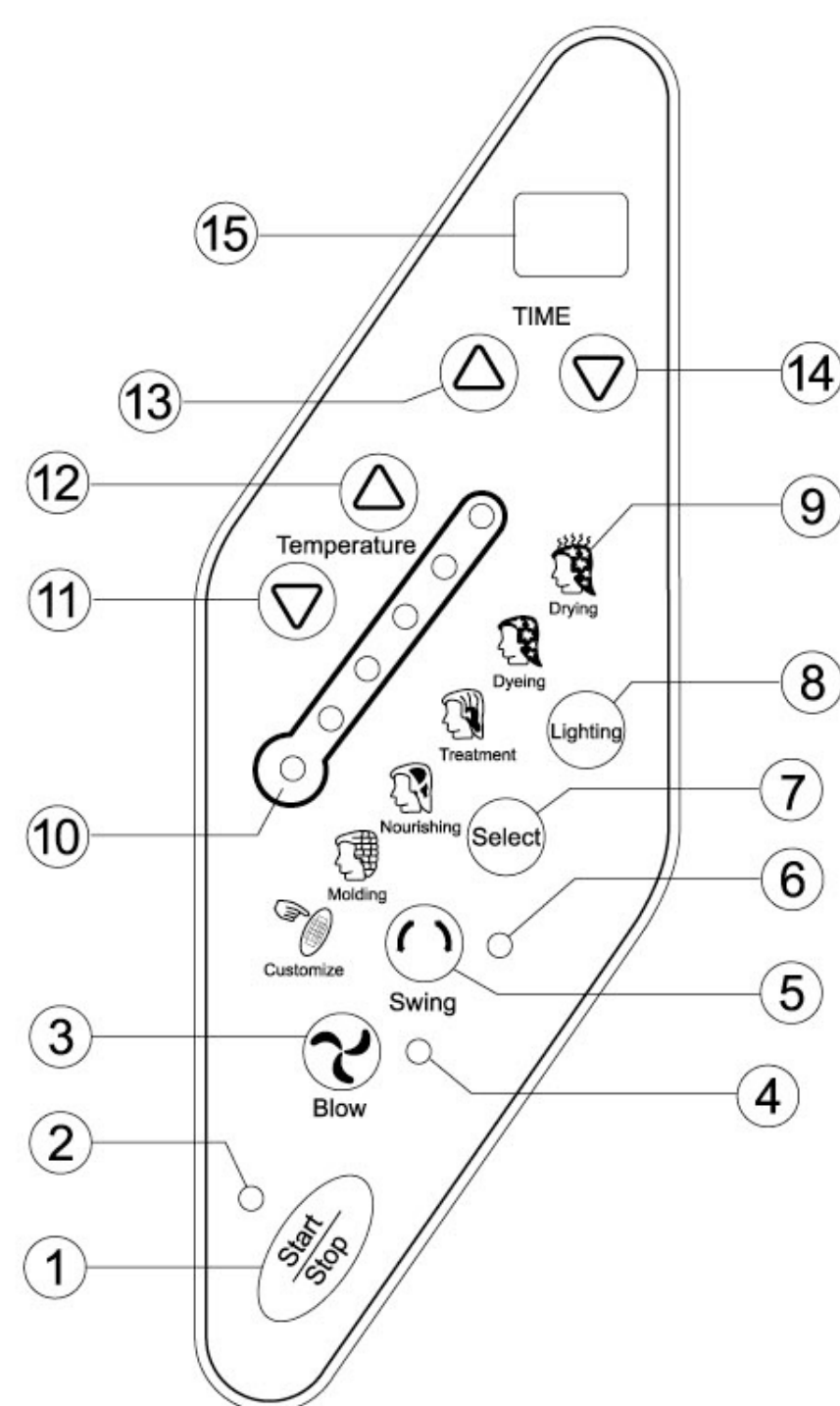
Distances of A and B should be about the same.

Step 3



● Best position: the center of swing arm is 6-8 cm from the head.

CONTROL PANEL



1. START/STOP key

Push this key to start and push it again to stop working.

2. Illumination of START /STOP

If this is illuminated, the machine is working. It will turn off if the machine stops.

3. FAN key

Push this key to start or stop fan working.

4. Illumination of FAN

Illumination flashes if Fan key is at weak or middle levels. At strong level, it keeps luminous. It is off if the fan stops.

5. SWING key

Push this key to stop the arms' swinging and the arms stay at any current position. Push this key again to continue arms' swinging.

6. Illumination of SWING

Illumination flashes if arms stop swinging. It is off if the arms are swinging.

7. CHOOSE MODE key

Push this key to choose one of the six modes which are displayed in a circular order as: Drying, Dyeing, Treatment, Nourishing and Customize.

8. Illumination key

Push this key to start or stop illumination.

9. Illumination of modes

Illumination shows the selected mode when you are choosing modes.

10. Illumination of temperature(level 1-6)

Illumination shows the selected temperature.

11. Temperature decrease key

Push it to decrease temperature.

12. Temperature increase key

Push it to increase temperature.

13. TIME increase key

Push this key once to increase 1 minute. Press it without release to increase time continually up to 60 minutes.

14. TIME decrease key

Push this key once to decrease 1 minute. Press it without release to decrease time continually down to 1 minute.

15. Digital indicator of time

It shows the left time of current working mode. It shows "00" if finishing operation and then starts to count the extra time. Time point light flashes once a second.



HERA II WAV-DRY-177
HERA WAV-DRY-277

Operator's Manual



Pure brand 100%

OPERATION MANUAL

1. The machine must be installed at a suitable position.

- The machine must be installed at a suitable position.
- Please read the relative details about suitable positions.
- The machine acts at its optimum performance only if installed at a suitable position.

2. Turn on the power switch

- Turn on the power switch and the inside red illumination shines.
- The control panel starts from the initiative mode "MANUAL".

3. Select a mode

- Select a mode you want.
- Temp. level, time and fan can be adjusted according to conditions.

4. Push "START/STOP" key to start

- The machine start to work according to the selected mode.

5. During operation

- The working light keeps luminous when working.
- Illumination of "START/STOP" keeps luminous.
- Illumination of selected mode keeps luminous.
- Illumination of selected temperature level keeps flashing.
- Time digital indicator shows the left time of current working mode. You may calculate how long the machine has worked.
- Time point light flashes once a second.
- During a certain working mode's operation, you may push any key to easily change TIME, TEMP and so on excluding the current working mode.

6. Change the current working mode during operation

- Push the "START/STOP" key to interrupt the working machine.
- Arms automatically swing back to the initiative position and stop heating.
- Illumination of "START/STOP" is off.
- Illumination of working mode and temperature level keeps luminous.
- Time point light is off and time indicator shows the preliminary set time.
- Reset the newly-selected mode and then push "START/STOP" key, it is converted.
- The machine starts to work according to the newly-selected mode.

7. Finish working

- Electronic buzzer sounds when internal time of mode shows "00".

- Illumination of "START/STOP" is off.
- Working light shines.

- Digital indicator of time shows "00" when finishing operation, then the time point light flashes once a second to start counting the extra time.

8. Turn off power source

- Turn off the machine's power switch.
- Please pull out the power plug if not use the machine for a long time.

Initiative heating time of temperature level

Level	1	2	3	4	5	6
Time	1 minute	1.5 minute	2 minute	2.5 minute	3 minute	3.5 minute

Note: When using the control panel correctly, illuminations and buzzer's clew go with every key. There is music and fan wind during operation. They can be turned on or off at will. The machine can resume to initiative position when the set time is up. Buzzer sounds and time indicator shows "00" and begins to calculate time.

CAUTIONS AND MAINTENANCE

Cautions

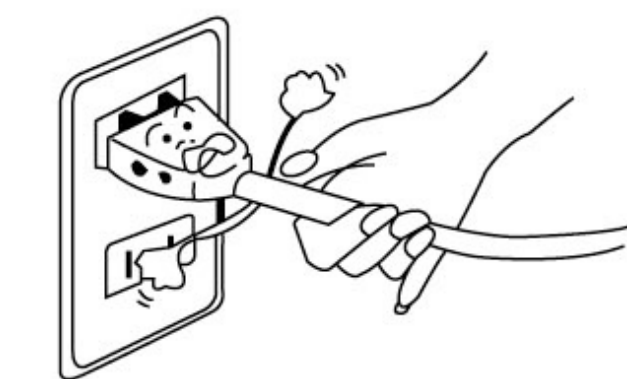
1. HERA has sensitive components

HERA has complex electronic parts like ones in computer. They are easily affected by extreme environment such as in cold outdoor or under summer sun light. Please avoid exposing at extreme hot or cold conditions.

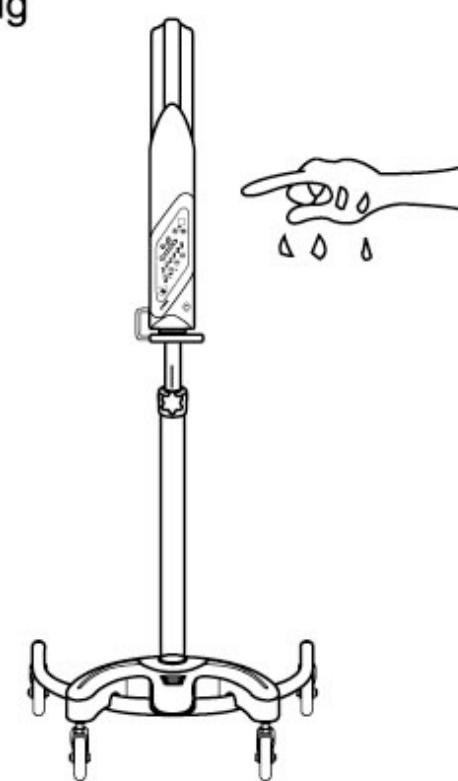
2. HERA needs correct power source.

PHANTOM needs at least 10A outlet for itself. Please connect PHANTOM with correct outlet and do not share with other appliances.

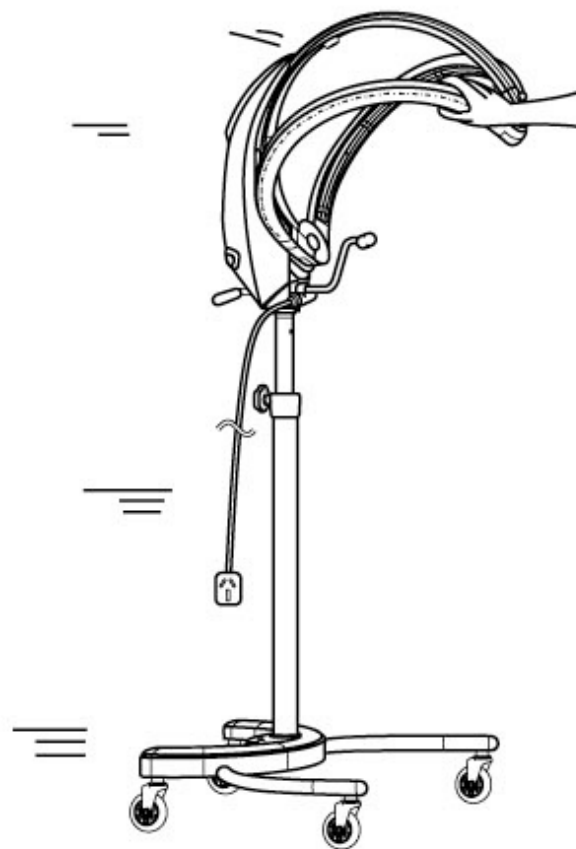
3. Do not disconnect the power plug by pulling the cable. Hold the plug and then pull.



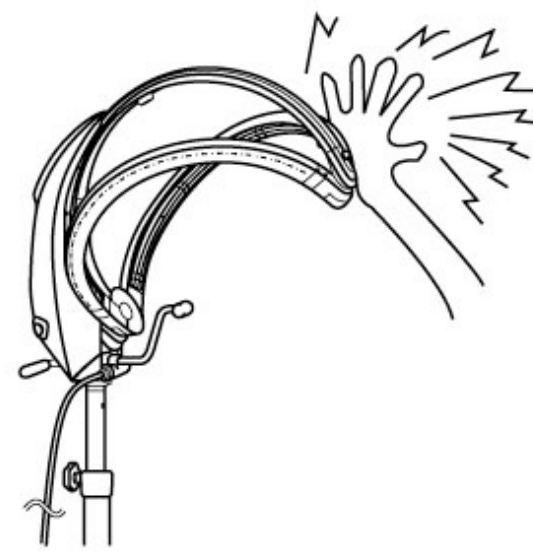
4. Do not wet PHANTOM. Dry your hands first and then touch switch panels. Please keep PHANTOM dry.



5. Do not halt the circular heater with hand unless emergency.



6. Do not move or lift PHANTOM by grabbing circular heater with hand. This will damage parts.



7. Disconnect the power plug after use in a bathroom, because it is still dangerous when close to water.

8. In order to increase protection, we recommend to install a under 30mA rated current RCD in the bathroom-powered electrical circuit.

9. If abnormalities is founded after connected to power, send PHANTOM to service center, do not attempt to repair it.

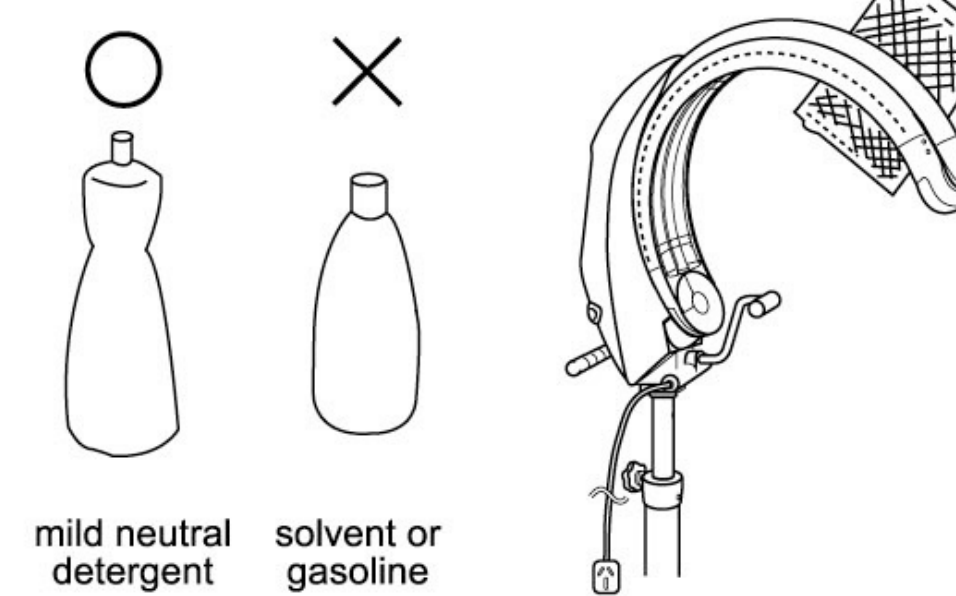
10. Do not bend, pull or bump the power cord. In order to avoid danger, power cord have to be replaced by manufacturer people or professionals when it is damaged.

11. Do not let a child to use HERA

12. HERA is designed to be used by able-bodied adults. Guidance and supervision advised for any other operators.

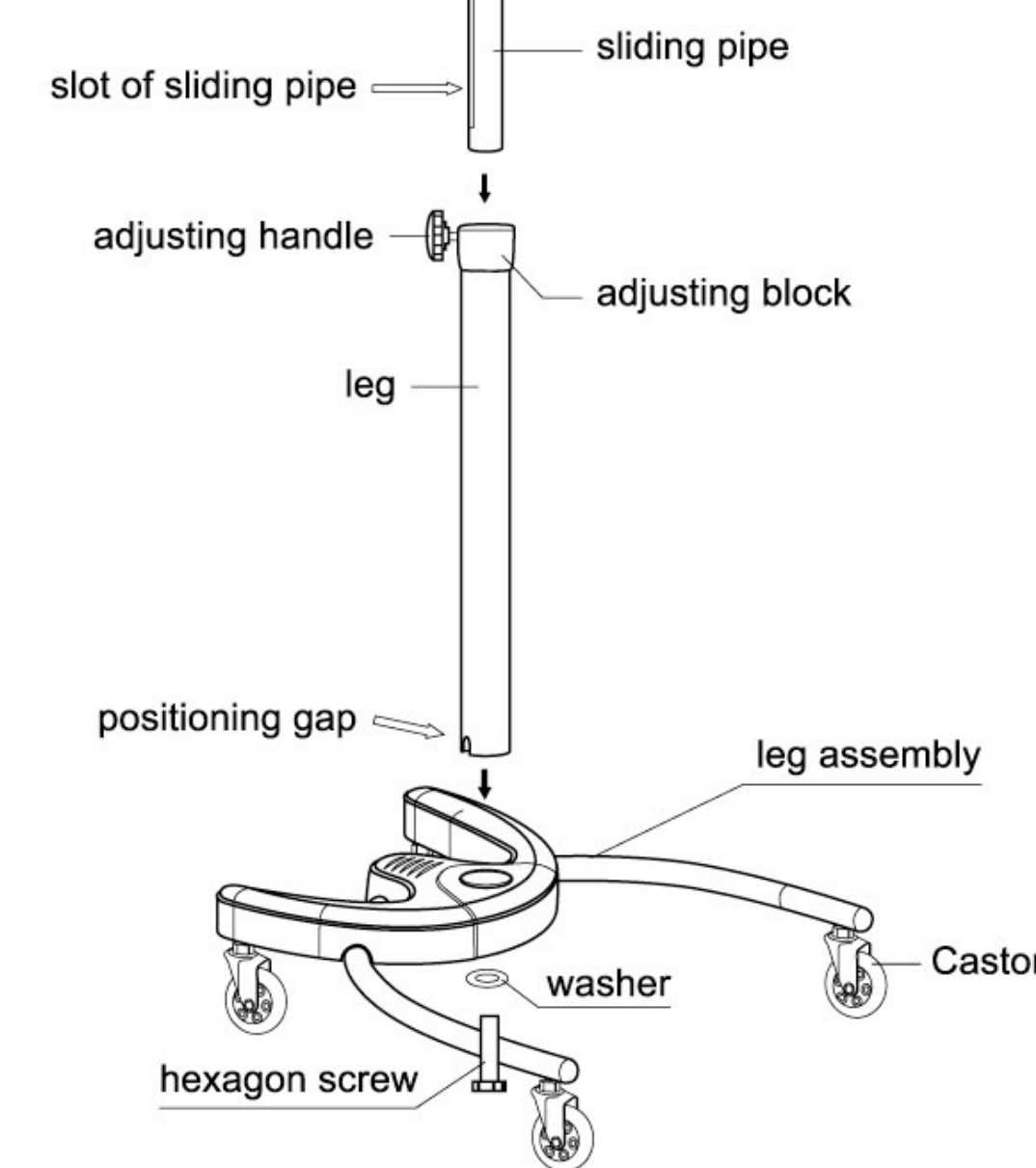
MAINTENANCE

1. Use dry and soft cloth to clean plastics, plated, and painted surface.
2. Use mild neutral detergent only with damp cloth.

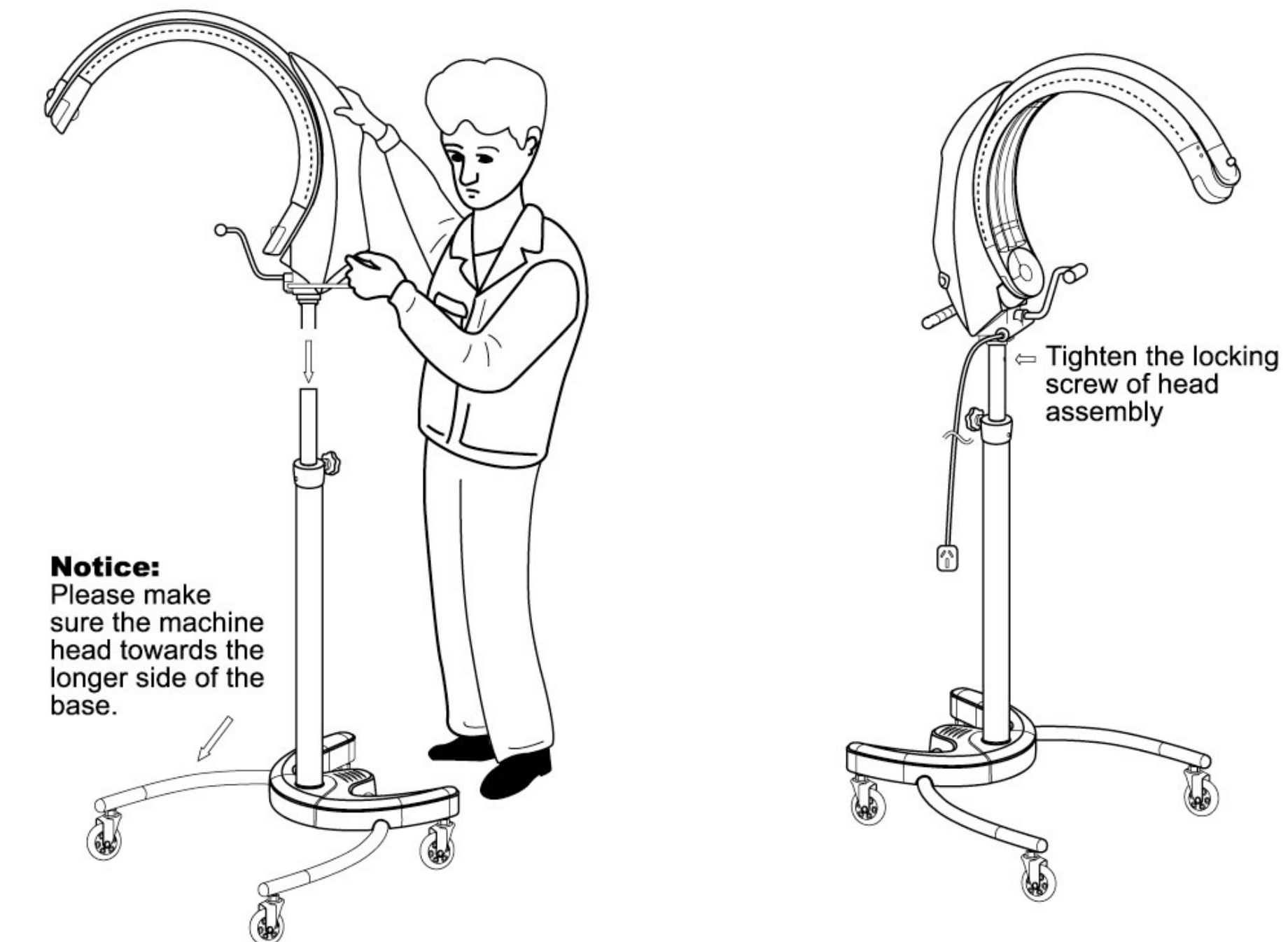


PARTS ASSEMBLY DIRECTIONS

Notice: Make the slot of sliding pipe and the adjusting handle are in the same direction.



INSTALLATION OF STANDING TYPE



WALL TYPE MACHINE (WH177) INSTALLATION EXPLANATION

1. BEFORE INSTALLATION

1-1 WALL

The wall must be sturdy enough to support the arm assembly and the machine head.

1-2 HEIGHT

Recommended height of wall bracket is 1840/1950mm from floor to the bottom of the bracket. (Fig.1)

1-3 ELECTRIC SOURCE

An electrical outlet with proper power must be prepared on the wall at the distance within 500mm from the wall bracket.

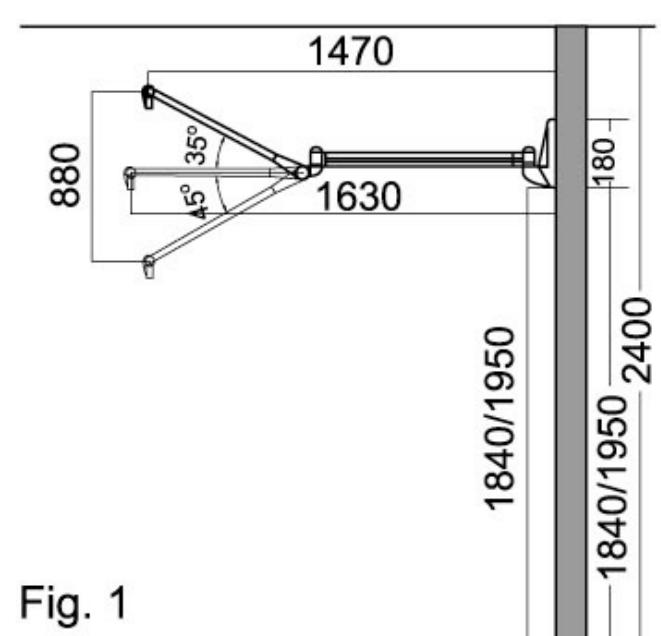
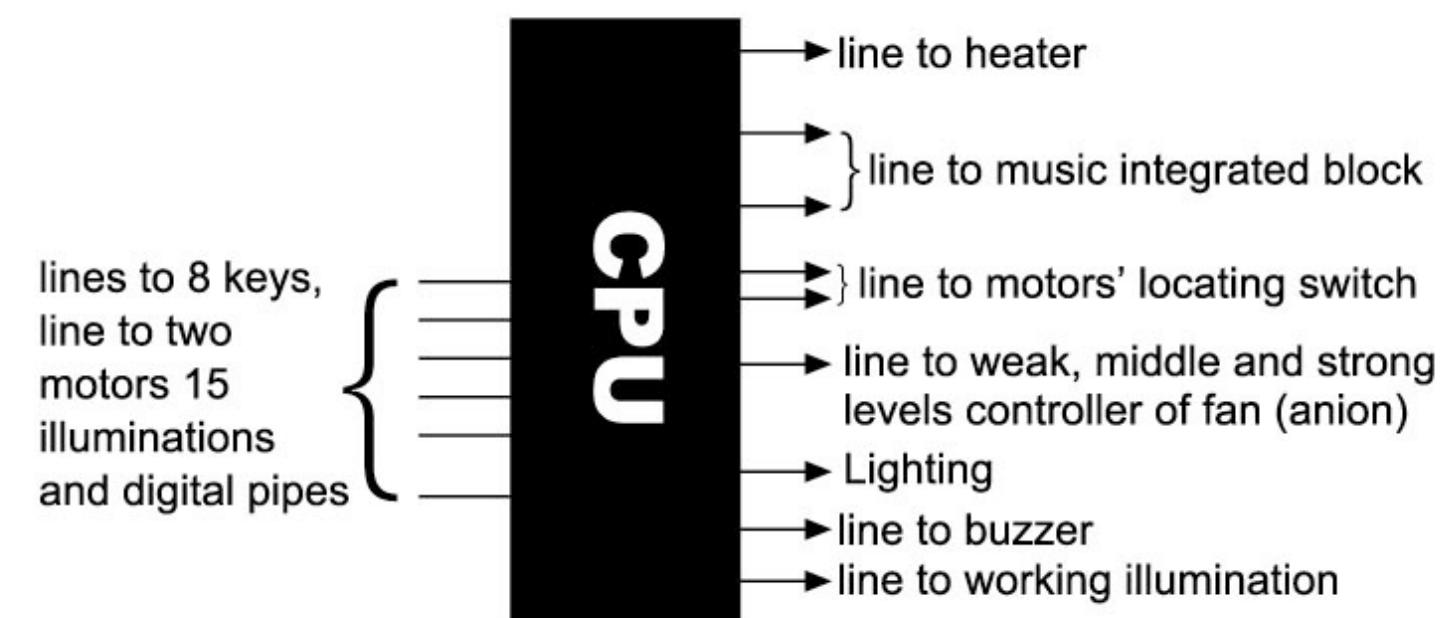


Fig. 1

Controlling wire diagram of integrated block

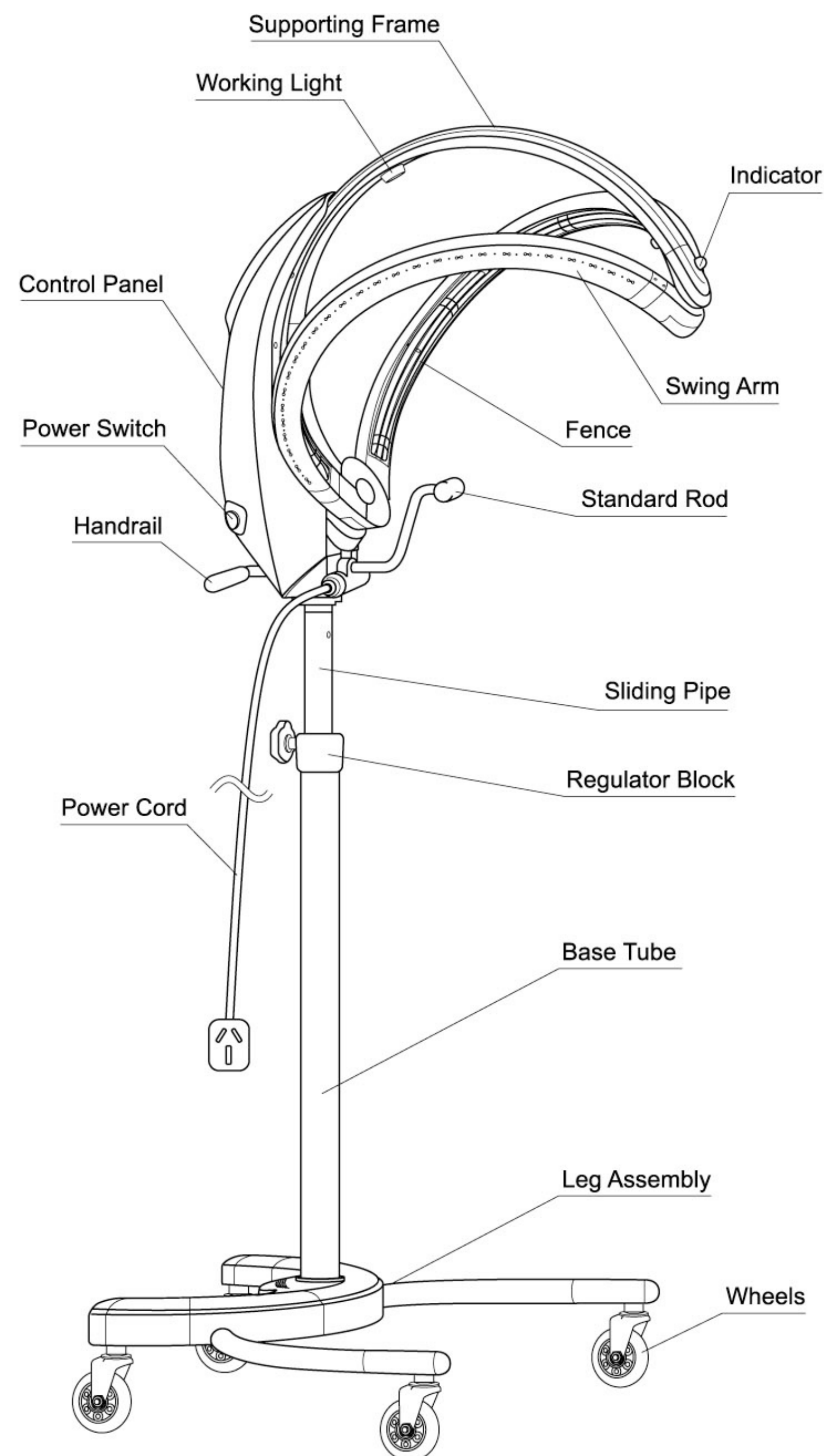


Modes' application and prefixed functions

The following temperature and time are the factory settings.

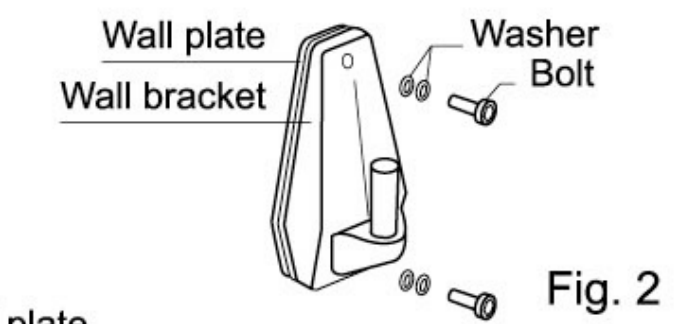
Modes	Application	Time	Fan	Swing	Temp. level	Initiative time of Temp. level	Temp. control
Drying	Used for drying hair and common natural hairstyles.	18 min	on	on	6	3.5 min	Turn on or off by default heating programme
		Adjustable according to condition and method.					
Dyeing	When dyeing, adjust time and temp. level according to type of dye, hair and technique of hairdresser.	15 min	off	on	4	2.5 min	
		Adjustable according to condition and method.					
Treatment	When caring for hair, adjust time and temp. level according to type of shampoo and hair.	20 min	off	on	5	3 min	
		Adjustable according to condition and method.					
Nourishing	When nourishing, adjust time and temp. level according to the type of shampoo, hair and technique of hairdresser.	15 min	on	on	4	2.4 min	
		Adjustable according to condition and method.					
Molding	When molding, adjust time and temp. level according to the type of shampoo, hair and technique of hairdresser.	10 min	off	on	4	2.5 min	
		Adjustable according to condition and method.					
Customize	Used for several modes works together according to technique of hairdresser.	10 min	on	on	3	2 min	
		Adjustable according to condition and method.					

PARTS NAME

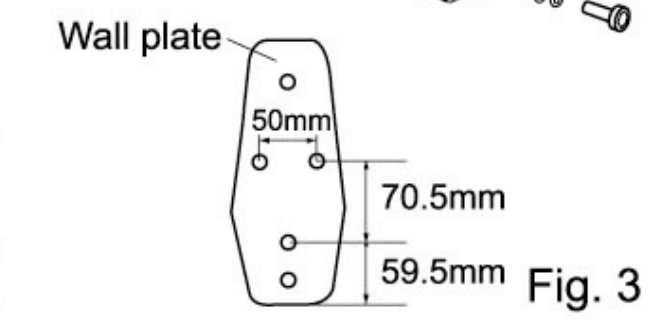


2. INSTALLATION OF WALL PLATE AND WALL BRACKET

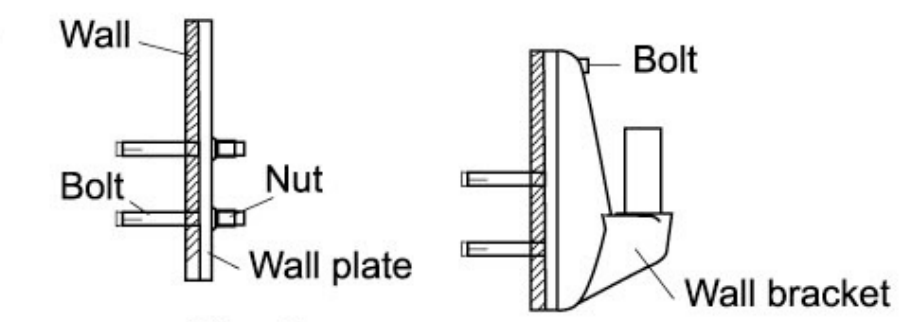
2-1 The wall plate and wall bracket are attached together with bolts before the factory delivers the machine.(Fig.2)



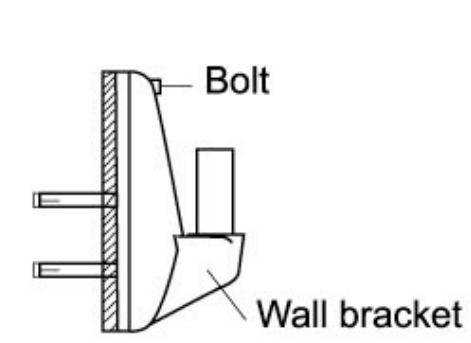
2-2 With the supplied wrench,loosen the bolts and remove the wall plate.(Fig.3)



2-3 Use the wall plate as a template and drill three holes on the wall. Please refer to Fig.3 for the correct position of the three holes.The size and depth of the holes shall be in accordance with the bolts supplied.



2-4 Attach the wall bracket to the wall with the bolts, then fix it with nuts.(Fig.4)

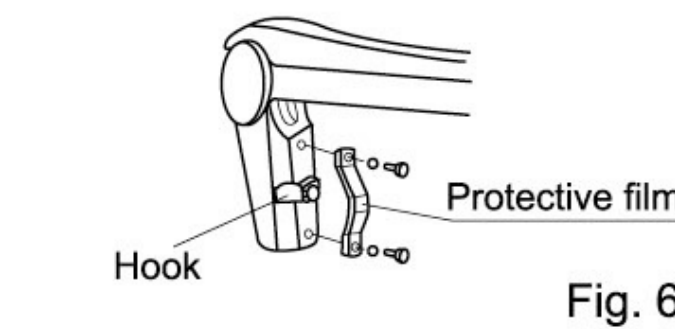


2-5 Attach the wall bracket to the wall plate,then tighten the bolts.(Fig.5)

CAUTION! As wall plate and wall bracket are subject to a large load, make sure that the wall plate is installed correctly and firmly.

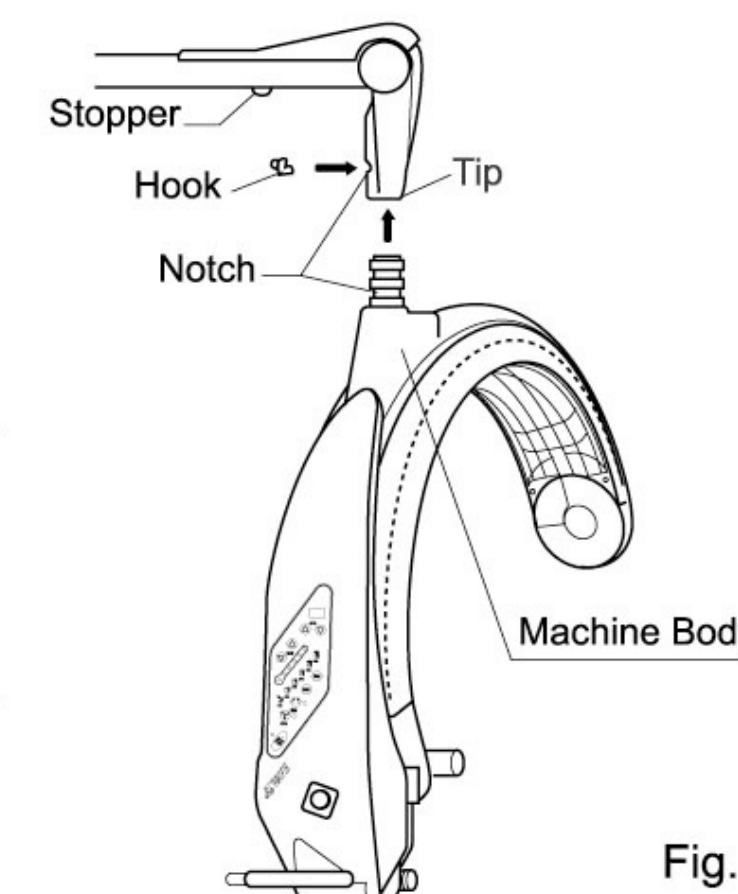
3. INSTALLATION OF ARM ASSEMBLY AND THE MACHINE HEAD

CAUTION! DO NOT REMOVE STOPPER on Arm until the machine head is completely installed. Arm assembly is spring loaded and could cause equipment damage and /or human injury if not handled in a proper manner.



For both the arm assembly and the machine head are fairly heavy,it is suggested that the installation is done by two persons together as instructed in the following steps.

3-1 Remove the screw at the Protector Plate underside (Fig.6) and rotate the protector plate anti-clockwise till it is vertical. Remove the hook lock after loosening the screw. (Fig. 7)



3-2 Stand the machine head on the floor and keep it upright with two hands. Another person holds up the arm assembly and then inserts the tip of the arm into the machine head contact post.(Fig. 7)

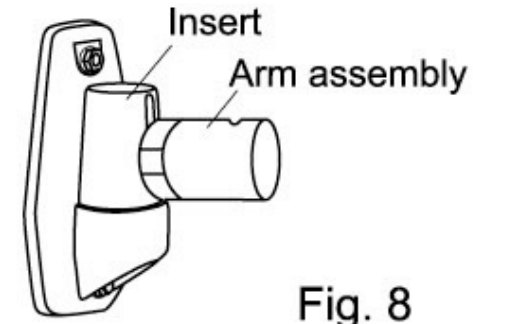
Note 1: Please make sure to insert the machine head contact post firmly. The tip of the arm assembly must be vertical adown. You may also turn the tip of the arm assembly left or right slightly and press the tip of the arm assembly slightly.

Note 2: The tip of the arm assembly must be inoculated completely with the machine head contact post. Please pay more attention to the groove of the bracket, if you can see the groove of the machine head through the groove of the bracket, it shows the installation position is correct.

3-3 Reinstall the hook Lock to the Groove and then tighten the groove screw firmly. (Fig. 7)

3-4 Turn the Protector Plate clockwise back to the original position and then tighten the screw at the Protector Plate underside. (Fig. 6)

3-5 Two persons hold up separately the machine head and the arm assembly at the same time. Place the arm assembly in the insert of wall bracket. (Fig. 8)



3-6 Remove the stopper and fix it in an opposite way for future spare use. Only after the installation is finished completely, and then you may move the arm assembly up and down, or it will damage the arm assembly. (Fig. 7)

3-7 Connect the cable to the outlet on wall.

4. ADJUSTMENT OF THE ARM ASSEMBLY

4-1 After finishing the installation, you may hold the Machine Body (Fig. 7) with two hands together, and move up and down to adjust the height and position as you need. Please operate it carefully to avoid it hitting the ceiling or furniture. In order not to damage the arm assembly, it is suggested not to remove the cover of the arm assembly and not to rotate the adjusting nut.

4-2 Before the factory delivers the arm assembly, the strength of the spring has been adjusted. Please load the correct weight as shown on the arm assembly.