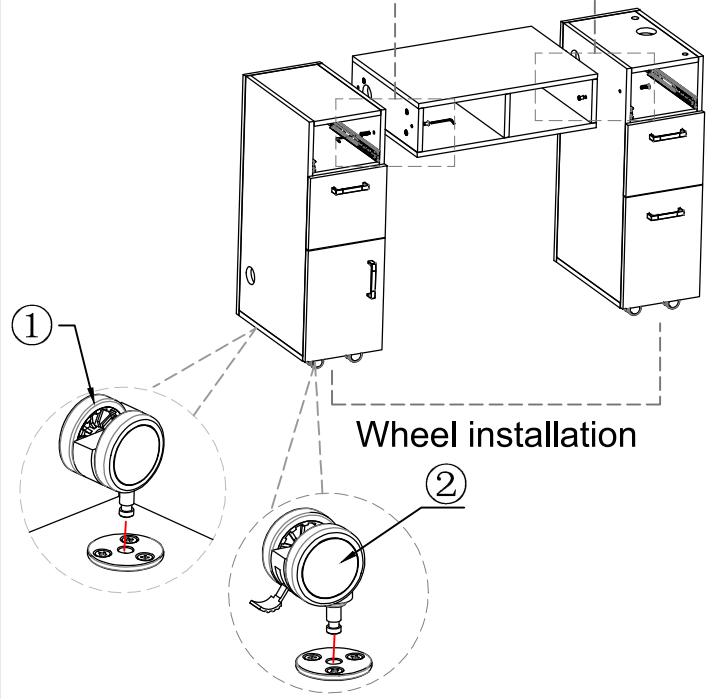


Connector Screw installation

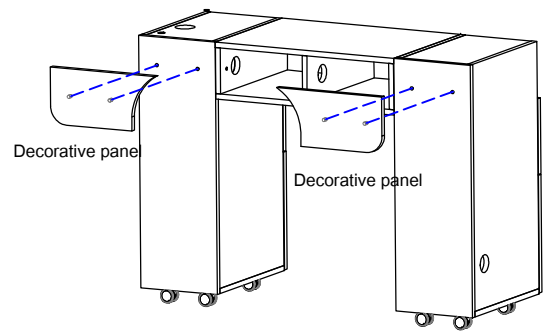


Wheel installation

ITEM NO.
RTG- NTBL-134 - KIT



SENECA Manicure Table

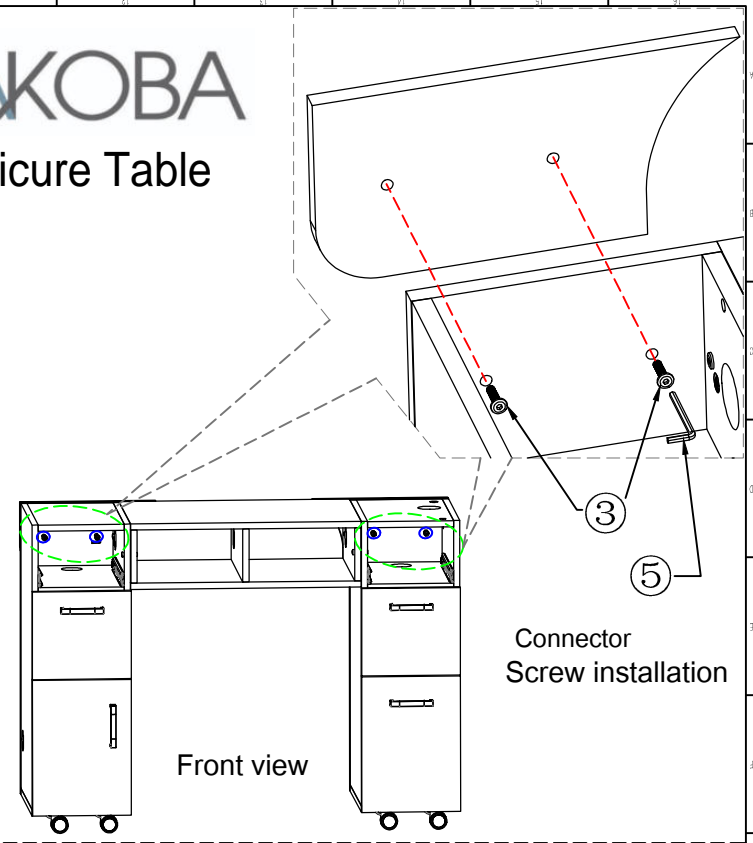


Decorative panel

Decorative panel

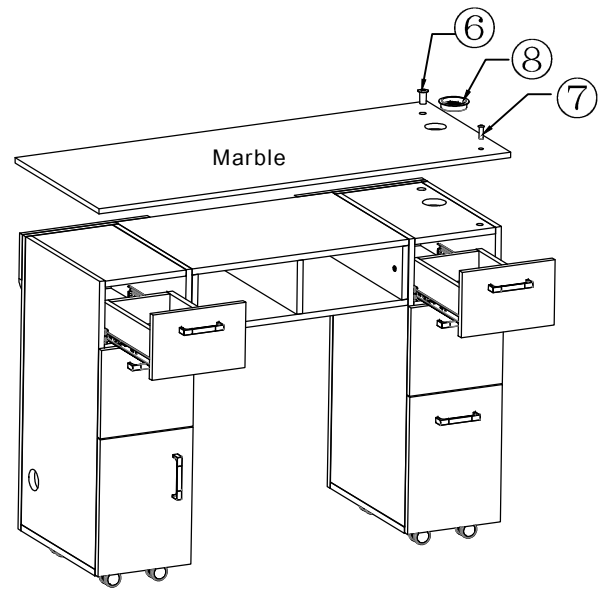
Rear view

Decorative panel installation



Connector Screw installation

Front view



Marble

Bill of material

①		Wheel no lock	4PCS
②		Wheel with lock	4PCS
③		Connector Screw(M6*25)	8PCS
④		Cap Nut (M6×12)	4PCS
⑤		Hexagonal wrench(M4)	2PCS
⑥		Bushing Insert(LG)	1PCS
⑦		Bushing Insert(SM)	1PCS
⑧		Φ50 Wire Grommet	1PCS
⑨		Hand Rest Pad	1PCS