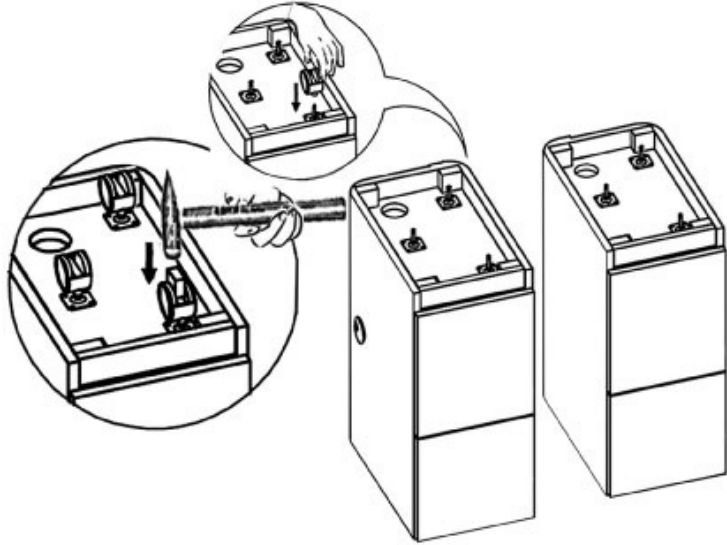


INSTALL INSTRUCTION FOR NOVA NAIL TABLE (1 UV HOLE)

Step 1: Installing Wheels

- _ Install the wheels into their slots
- _ Place the wood piece into the middle of of the wheel, use a hammer gently tap untill you hear a "click" sound



Step 3: Install Bolts

- _ Install bolts from the inside of the top table pocket down to the side cabinets
- _ Each side drawer pocket needs 4 bolt (1" 1/4 bolts x 8)

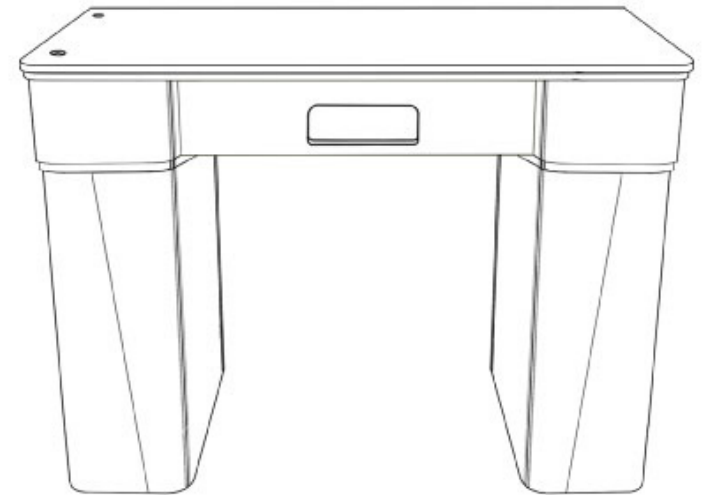


Step 3: Install table top

- _ Return side cabinets to its upright position
- _ Make sure top section table align with side cabinets

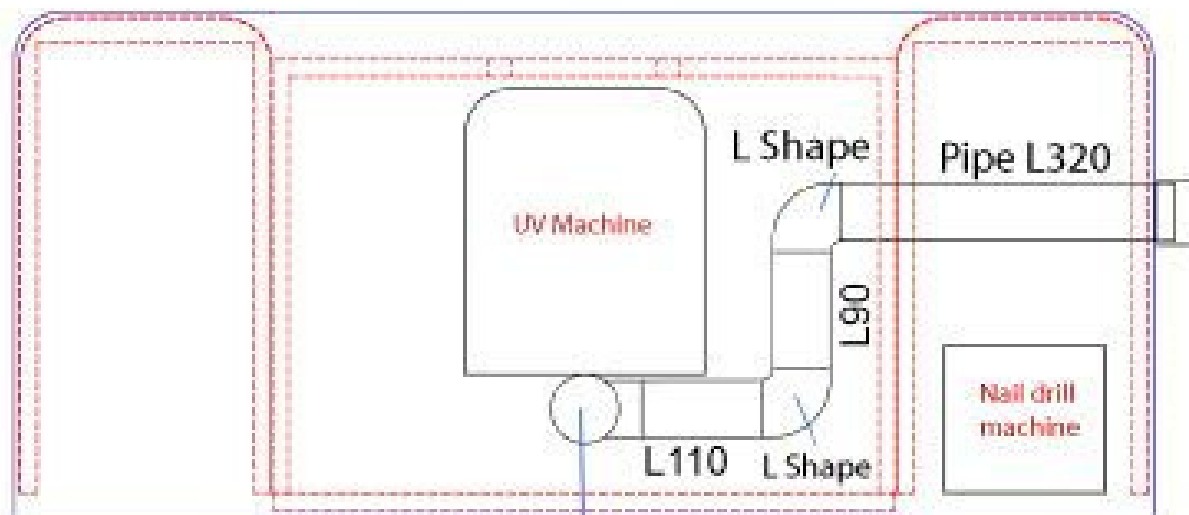


Step 4: Complete.



Nova Nail table - Pipe installation

(Install UV machine before pipe)



L Neck
has L50 part that
connect to marble table

- _ Pipe L320: 1 part
- _ Pipe L90: 1 part
- _ Pipe L110: 1 part
- _ Pipe L50 (connect to marble table): 1 part
- _ Cover lid: 1 part
- _ L neck: 3 parts