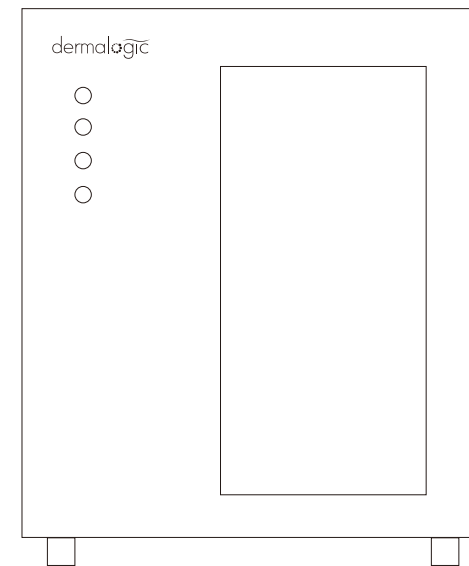




Disinfection Cabinet
MANUAL



KGO-SAAPP-60

Thank you

for choosing **dermalogic**

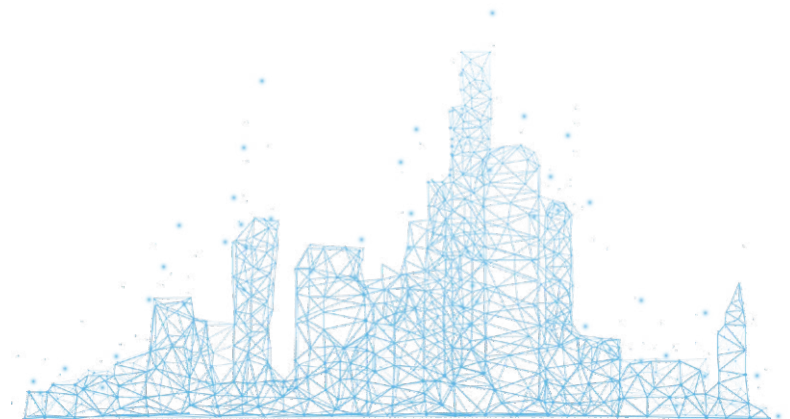
Our products are designed to help you and your loved ones stay healthy by effectively eliminating harmful bacteria, germs and viruses. Our products are laboratory tested and recommended by medical professionals and organizations worldwide.

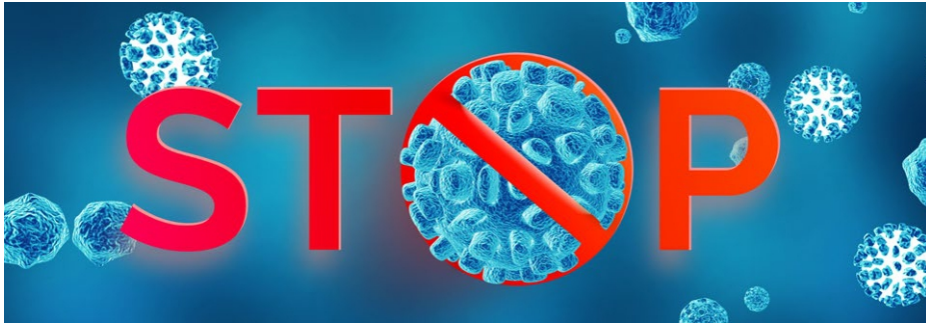
dermalogic provides a chemical free sterilization with the use of UV germicidal lights. For best use of our products, please refer to the manual.



TABLE OF CONTENTS

1.Important safeguards	3
2.Features	6
3.Diagrammatic sketch	7
4.Specifications	8
5.Control panel	10
6.Cautions	11
7.Tips for daily use	12
8.Maintenance and cleaning	12
9.Circuit diagram	13
10.Troubleshooting	14





1. Important safeguards

This is a multi-function disinfection cabinet. It is equipped with a stainless steel shell that helps to maintain high concentrations of Ozone. The disinfection capacity is in conformity with the industry standard and features automatic temperature control for efficient sterilization and disinfection.

When using an electric appliance, basic safety precautions should always be followed including the following:

READ ALL INSTRUCTIONS CAREFULLY BEFORE USING YOUR UV STERILIZER AND RETAIN THESE INSTRUCTIONS FOR FUTURE REFERENCE.

To reduce the risk of fire, electric shock, or personal injury when using your product, basic safety precautions should be followed, including the following:

UV LIGHT PRECAUTION Direct and overexposure to UV light can cause

permanent eye damage.

The unit is built with UV rated materials and a safety mechanism to prevent UV exposure.

The instructions below should be carefully followed to avoid hazard and health risk.

1. Never look at the UV lamp during operation either directly or through mirrored glass.
2. Panel door should always remain closed during operation.
3. Do not tamper with the door's auto-shutoff safety mechanism or attempt to operate the unit with the panel door open.
4. Always stop the full operation at the control panel before opening the door.

- Prior to use, ensure that you are connecting this product to a dedicated, properly grounded electrical outlet rated for use with this appliance.
- Each heating appliance provided with a 2-wire polarized attachment plug shall be provided with the following instructions or the equivalent: This appliance is equipped with a polarized plug (one blade is wider than the other). To reduce the risk of electrical shock, this plug is intended to fit into a polarized one-way outlet only. If it does not fit, contact a qualified electrician. Do not modify the plug in any way.
- A short power cord has been provided to prevent the risk of it becoming tangled or being tripped over.
- Extension cords may be used if care is exercised in their use.
 - a. The marked electrical rating of the extension cord should be at least equal to the electrical rating of the appliance.
 - b. The longer cord should be arranged so that it will not drape over the countertop or tabletop where it can be tripped over, snagged, or pulled on unintentionally.
- Always unplug from outlet when not in use, before appliance maintenance cleaning and replacing lamp bulbs. Always power off the appliance before unplugging.
- Do not operate this appliance if the cord or plug is damaged or came in contact with water.
- Do not operate this appliance if it has malfunctioned or has been damaged in any manner, or fell into water.
- Do not let cord hang over an edge, a table or a counter, or touch heated surfaces.
- Never use the cord as a handle, pinch or pull the cord around sharp edges or corners. Do not run equipment over the cord.
- To disconnect, hold the plug and pull it from the wall outlet. Never yank on the cord.

- Do not handle the plug or the appliance with wet hands.
- Always turn off all operations before unplugging the appliance.
- To protect against electrical shock do not immerse the cord, plugs or appliance in water or other liquid. Do not place or store the product where it can fall or be pulled into a tub or sink
- This appliance is not intended for use by children or persons with reduced physical, sensory or mental capabilities, or lack of experience and knowledge unless they have been supervised or instructed to use of the appliance by a person who is responsible for their safety. Close supervision is necessary when the appliance is operating near these people.
- Keep this appliance out of reach of children. Children should be supervised to ensure that they do not play with the appliance.
- Do not use the appliance for purposes other than those intended.
- Never use any accessories or parts from other manufacturers that are not specifically recommended for this appliance. In such case, this appliance's warranty will be void.
- For household use only. Do not use outdoors.
- There are no self-serviceable parts inside the appliance. Do not attempt to open, service, or repair the appliance by yourself. All servicing should be performed by an authorized service representative. Failure to observe this requirement shall void any warranty, stated or implied.
- Always place the appliance on a level and firm surface.
- Never move, tilt, or open the appliance door when in use. Always power off and unplug the unit before moving it.
- Never place any items on top of the appliance.
- Do not use chlorine or harsh chemicals to clean the appliance, as it may cause potentially cause damage to the unit.

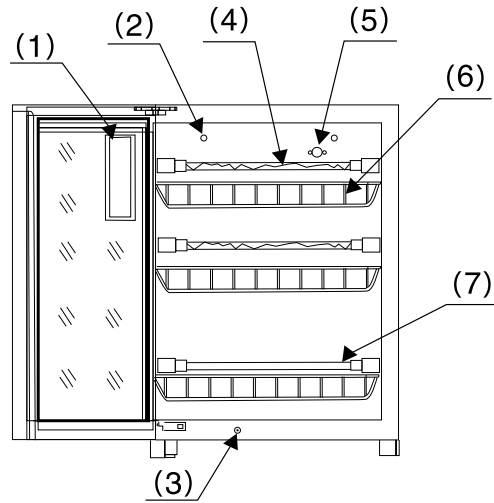
- A minimum space of five inches should be maintained between the back of the appliance and the wall to ensure proper air vent circulation.
- Always wipe off the dry water spots after each use on the interior space. Dry water spots can hinder the performance of the UV lights and cause damage to the stainless steel interior.
- Do not overload the products inside the appliance. Always leave sufficient space between objects to ensure good exposure to UV light during operation.
- Do not reach for an appliance that has fallen into the water. Unplug the appliance from the outlet immediately.
- Do not place the appliance near any heating source such as a stove, oven or heater, or expose to direct sunlight.
- Do not operate the appliance in an area where an aerosol product is being used or oxygen is being administered.
- If you suspect a gas leak in the area, unplug and ventilate the appliance immediately.

2.Features

The design was based on the demand characteristics of users, which are widely suitable to multiple application scenarios for different types of tableware. Some features have been very welcome by lots of customers as followings. Here are some of their favorite features:

- 1.Novel design
- 2.Push-pull shelves
- 3.High efficiency heating element
- 4.High ozone concentration
- 5.Safety enforced gated switch
- 6.Tempered Glass door
- 7.Silica gel door seal
- 8.High quality components

3. Diagrammatic sketch




- (1) Control panel
- (2) Exhaust hole
- (3) Safety enforced gated switch
- (4) UV lamp
- (5) Temperature sensor
- (6) Shelf
- (7) Heating tube


4. Specifications

Model	KGO-SAAPP-60
Product Name	UV Sterilizer
Sterilization Technology	UV+OZONE+HEAT
Capacity	60L
Internal Temperature	140°F (60°C)
Safety Features	UV lamp auto shuts off when door is opened during sterilization
Rated Input Power	170W
Rated Voltage	110V~
Material	Stainless
Product Dimensions	17.5" × 14.5" × 25.5"
Product Weight	22 lbs
Box Dimensions	20.5" × 17.5" × 28"
Gross Weight	26.5 lbs

⚠ CAUTION

 Please wipe dry the items before sterilizing and storing.

 Please ensure that objects to be sterilized can withstand the internal temperature of $60^{\circ}\text{C} \pm 10^{\circ}\text{C}$.

 Make sure to keep the power line and socket from hot areas or surfaces (such as stoves) to prevent fire hazard.





 Place the sterilizing cabinet in a cool, dry, flat and sturdy space.

 Do not touch the door cover and glass while the sterilization is in progress.

 Keep away from children's reach.

5. Control panel



-  This button will toggle the power off and on.
POWER
-  When the machine is powered, this button will activate the UV and ozone for 30 mins.
UVC
-  When the machine is powered, this button will activate the UV and heat for 30 mins
UVC+HEAT
-  When the machine is powered, this button will automatically cycle the sterilization process every three hours and can be used to store sterile items for 12 hours.
AUTO

6. Cautions



- 1 The appliance should be installed in a cool dry place away from any inflammables or explosives. It should be used at least 4 inches from the wall and other fixtures.
- 2 Please use the correct socket for the power cord. It is also recommended to use a surge protector.
- 3 Do not make contact with the surface of the heating area when the machine is in use. Please also keep all inflammables/explosives away from the heating element. Do not place towels, shoes, plastics or any other items on the heating element.
- 4 Do not let children touch and use the appliance.
- 5 Do not start the appliance if the plug, cable, or any other components are broken or non-working. Please contact the manufacturer.
- 6 Do not move, lay down, or dismantle the appliance while it is powered.
- 7 Gently operate the door of the warmer, holding the machine in place as you open the door if it gives you difficulty.
- 8 Make sure items are dry before placing them inside the machine for sterilization.
- 9 Do not leave the door open to vent until 20 minutes after the machine has finished operation.
- 10 Please keep the appliance away from moisture. If the machine has gotten wet, please disconnect from the power and allow to dry adequately.

- 11 Do not start the appliance unless all doors are closed to prevent ozone leak. Stop the appliance and remove from power if there is leaking ozone or the machine is operating abnormally. Immediately contact the manufacturer and DO NOT operate without approval from the manufacturer.

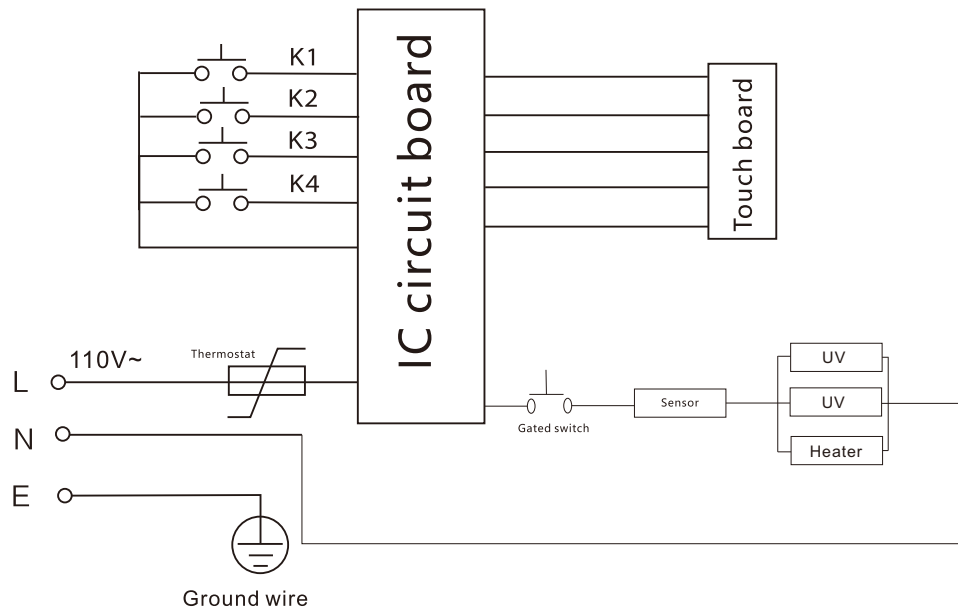
7. Tips for daily use

1. In order to clear up any peculiar smell or residual lipids, please allow the machine to run 1 or 2 cycles before using.
2. Do not put tableware in the cabinet unless they are dry.
3. Do not allow the appliance to be powered for long periods. Please disconnect the power when the machine is not in use. It is recommended to run the sterilization process at least once every two days.
4. If ozone is smelt near the machine, ensure the door is sealed.
5. Small noises and creaks are to be expected as the machine heats and cools. Please disconnect power and report any large noises, pungent smells, or smoke/fog come from the machine.

8. Maintenance and cleaning

1. Please disconnect power before cleaning.
2. Soft cotton or sponge dipped in natural detergent can be used for cleaning internal and external.
3. Do not use anything dipped in gasoline, polish, or decontamination powder to clean the machine.
4. Do not spray water directly onto the appliance to avoid electrical damage.

9.Circuit diagram



10.Troubleshooting

Faults	Possible causes	troubleshooting
No power detected	power cut or cable is not plugged to the socket	Check the power supply and plug
	Circuit fault	Get in touch with the distributors of the appliance
Peculiar smell	Cabinet is unclean	Clean the cabinet
	Some ozone is not degraded	Close the door again and wait for 5-10 minutes
	protective lipids are evaporated	Run the appliance 1or 2 cycles before it is put into use
UV isn't functioning	UV element fault	Check whether the UV element is broken. Please replace it if it is brokem
	Circuit fault	Get in touch with the distributors of the appliance
Heat isn't functioning	Heating element fault	Get in touch with the distributors of the appliance
Timer isn't functioning	Components faults	Get in touch with the distributors of the appliance
	Circuit fault	Get in touch with the distributors of the appliance
Unknown faults	Get in touch with the distributors of the appliance	