

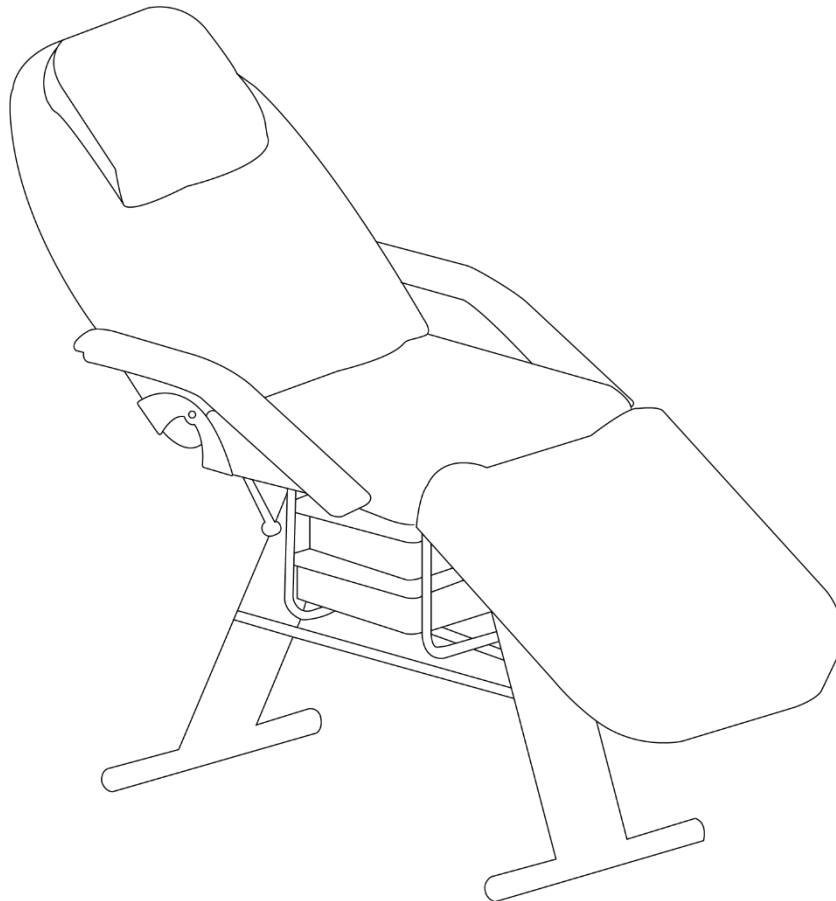
PARKER II Facial Chair

Model# HZI-FCCHR-215



ATTENTION! PLEASE READ THESE INSTRUCTIONS BEFORE USING THIS DEVICE

PRODUCT MANUAL



NOTICE:

If your package is missing parts or you are having issues with installation, please call us directly. Our customer service team will address any questions or concerns you may have.

Have this manual open and ready for reference.



SAFETY

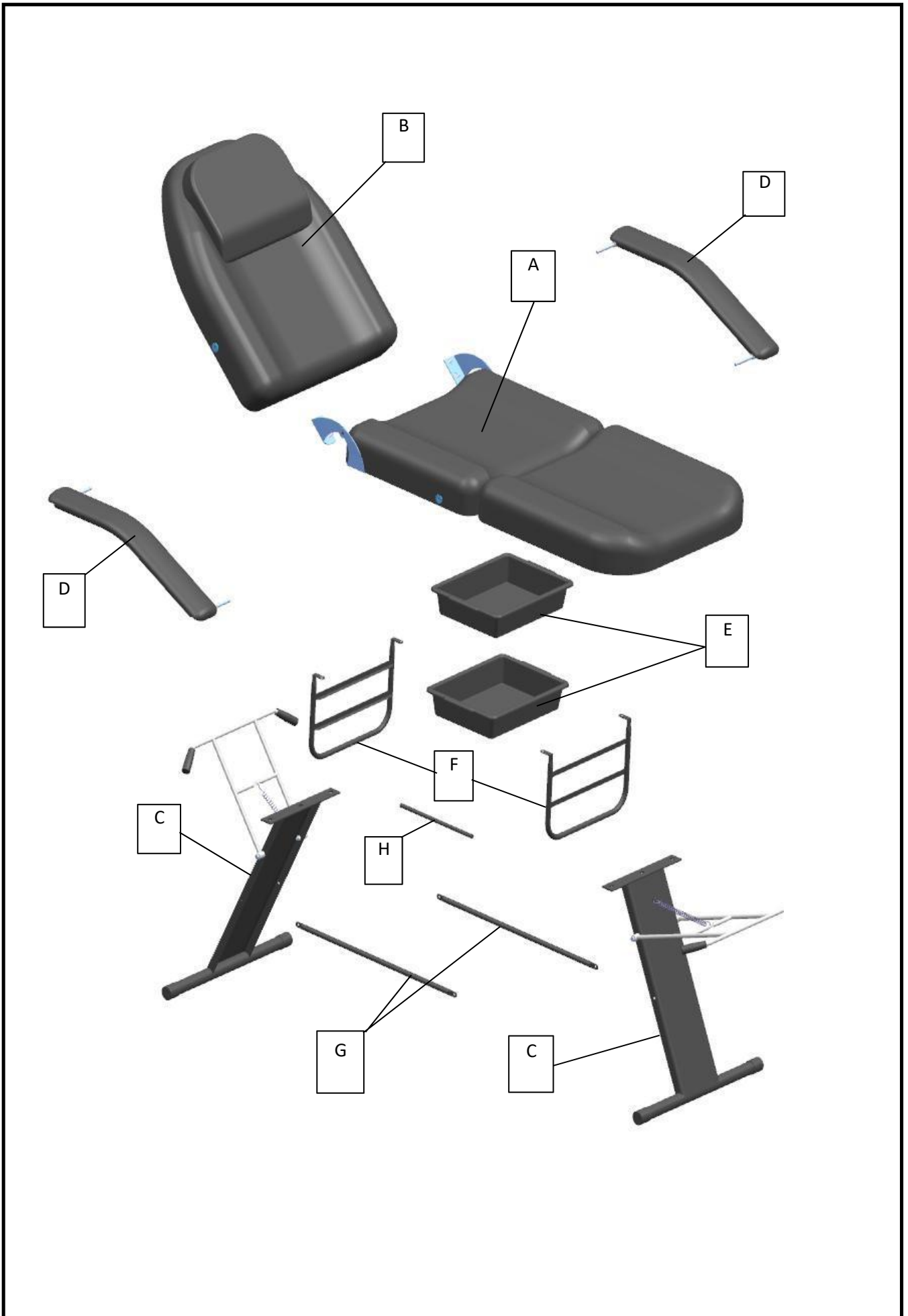
To reduce risk of injury when installing & using the chair, follow these precautions:

- Read all these instructions before installing and using your salon chair.
- Preferably have 2 people for installation and turning the chair upright after installing.
- Do not over-extend the bed. The weight of the client should not exceed 150 kg, to avoid creating the risk of falls or tipping the chair, resulting in injury

OTHER ITEMS YOU WILL NEED (not included)

- Hand Tools: Wrench, Rubber Mallet, Screwdriver (Phillips), a Sturdy box

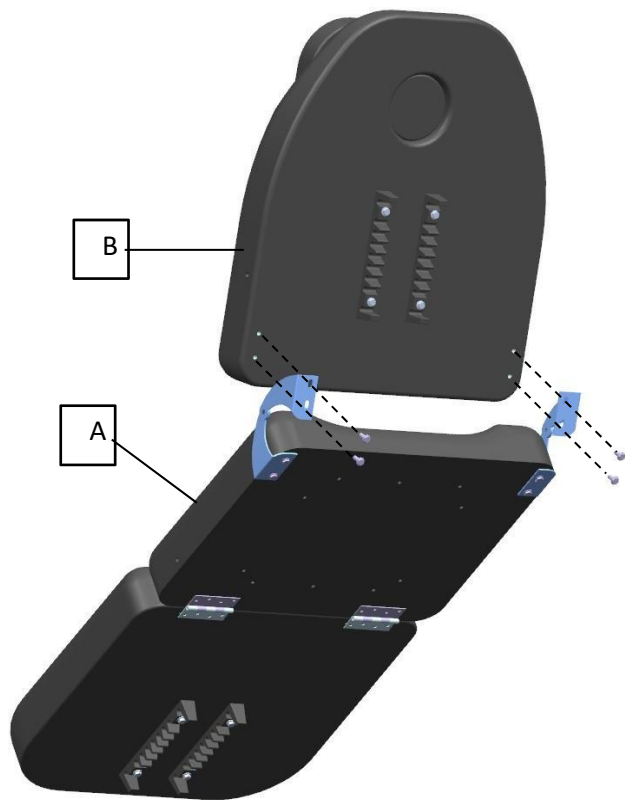
PARTS & FEATURES



Installation instruction

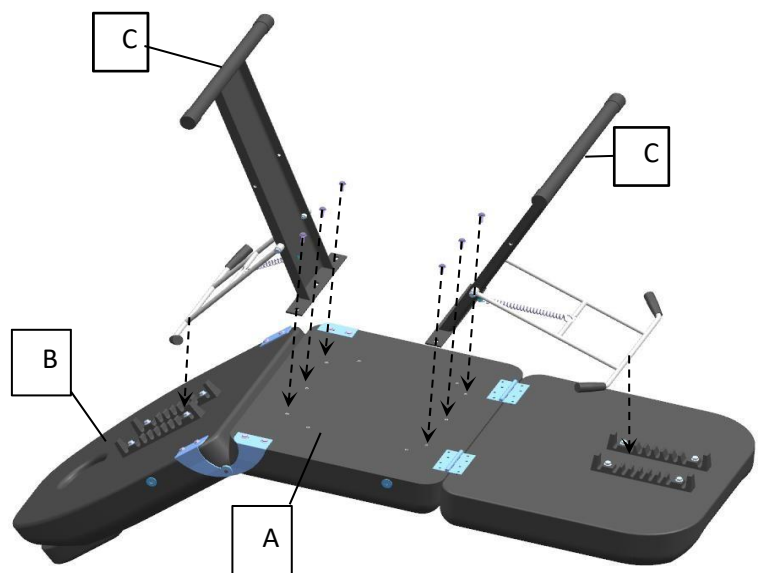
1st Step: Install B to A

1. Remove the 4 bolts which are pre-fixed on B
2. Install B to A by the 4 bolts removed from A



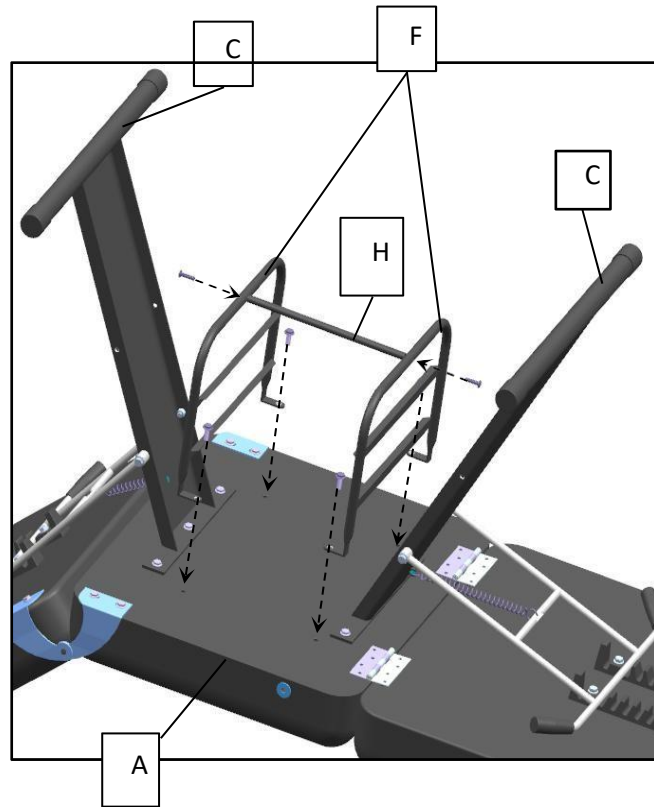
2nd Step: Install C to A and B

3. Remove the 6 bolts which are pre-fixed on A
4. Install C to A by 6 bolts which removed from A



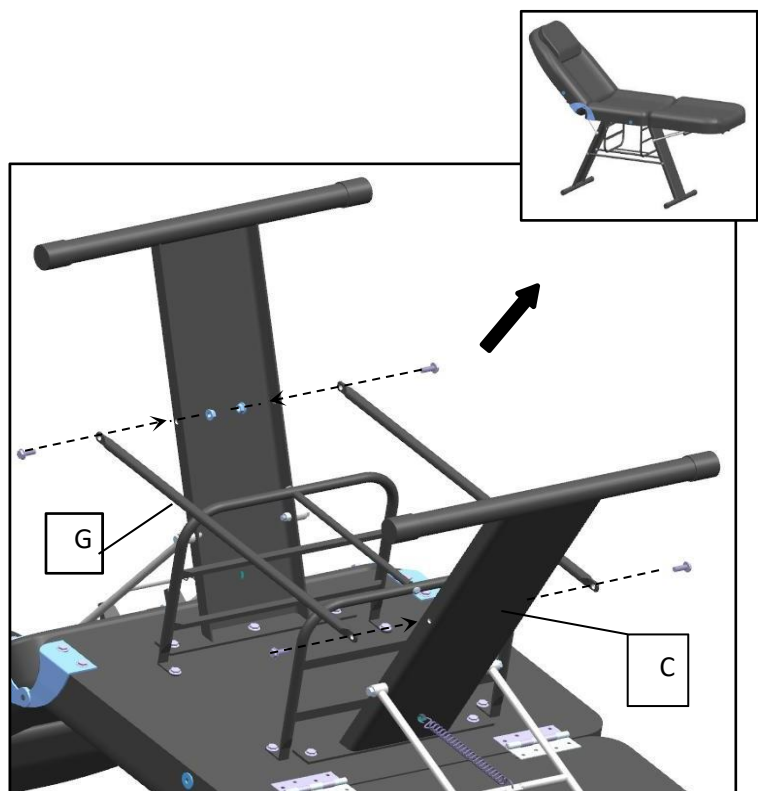
3rd Step: Install F to H

5. Remove the 4 bolts which are pre-fixed on A and remove the 2 bolts which are fixed on F.
6. Install F to A by the 4 bolts which were removed from A.
7. Install H in the middle of F by the 2 bolts which were removed from H.



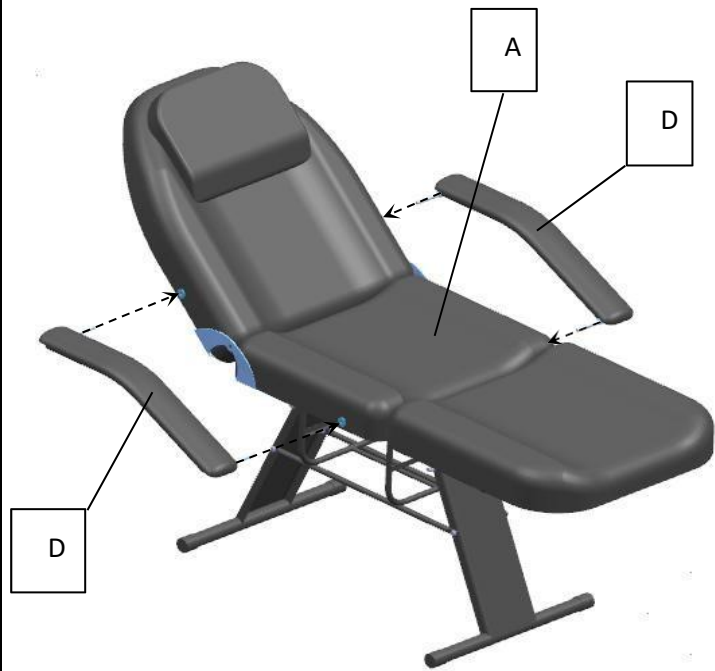
4th Step: Install G to C

8. Remove the 4 bolts which are pre-fixed on C
9. Install G to C by the 4 bolts which were removed from C.



5th Step: Install D to B and A

10. Install D to B and A



6th Step: Install E to B and A

11. Install E on the bottom of seat (A) and in the middle of F one by one




Function description

Adjustment of backrest and seat

Adjusting the support bar on the back of the seat, and the underside of the leg section, will allow you to adjust the incline to your desired level.

Please make sure that the support bar fits well into grooves for any adjustments before use.

( Notice! When moving the adjustment support rod, it must not exceed the gear on both sides of the rack)

