



**IRVING II 9-IN-1 Multi-Functional Beauty Instrument
HZH-FCAPP-5050-KIT**

USER MANUAL

**Thank you for purchasing our product.
Please read the user manual carefully prior to use.**

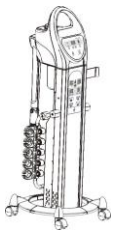
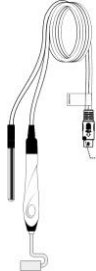

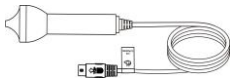
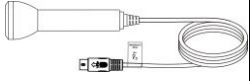
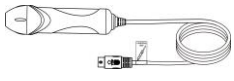
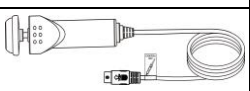
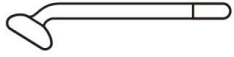
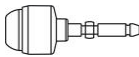

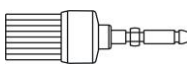

IRVING 9-IN-1 Multi-functional Beauty Instrument

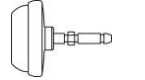

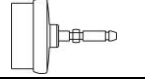

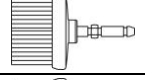

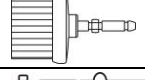



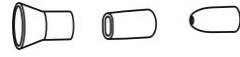
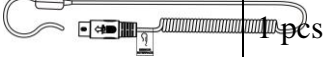



Facial Steamer, Magnifying Lamp, Ultrasonic, Skin Scrubber, Galvanic, High-frequency, Rotary Brush, Spray and Vacuum

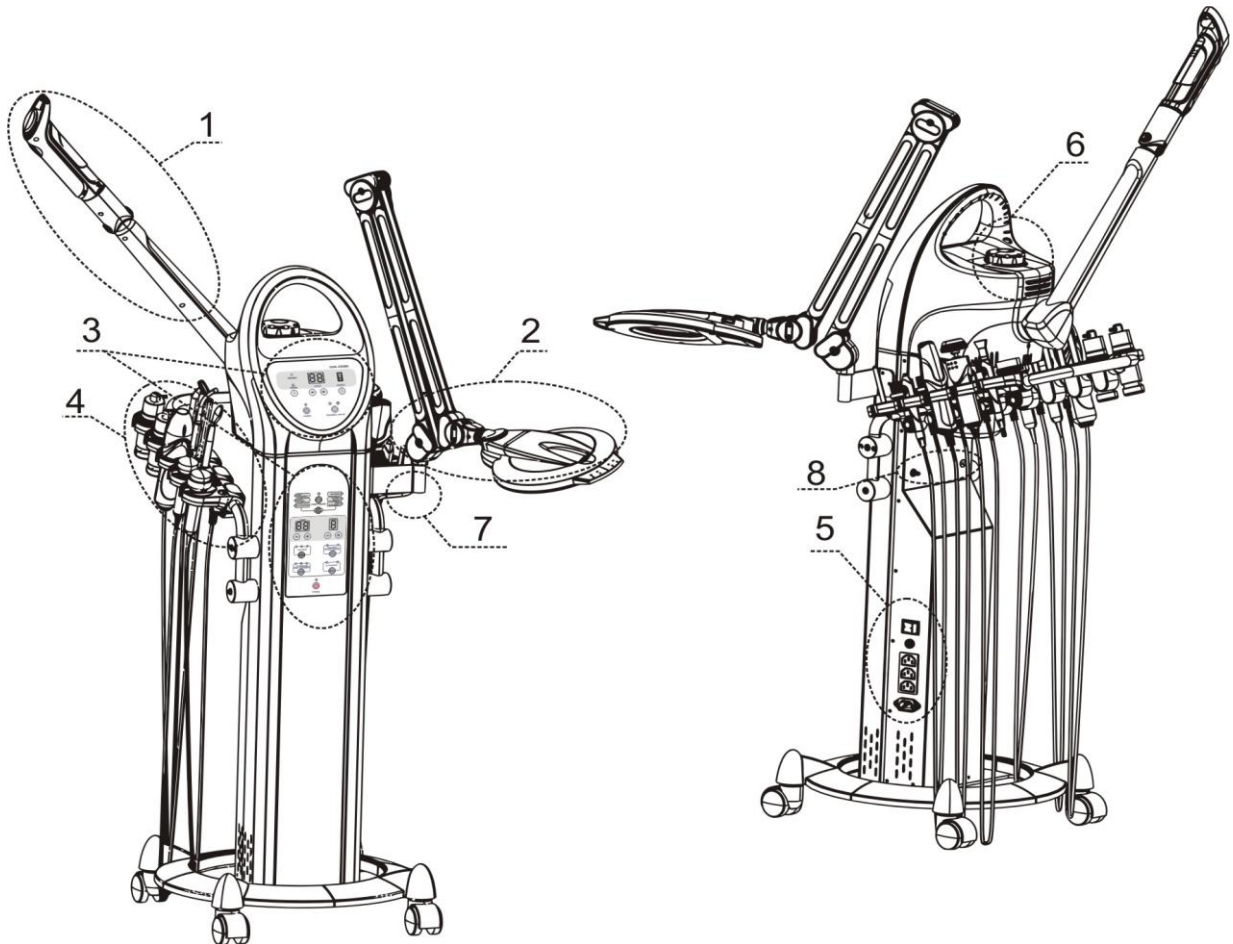
Specifications and Technical Data:

Product Name	IRVING 9 IN 1 Beauty Instrument
Item No.	H5050
Function	Facial Steamer, Magnifying Lamp, Ultrasonic, Skin Scrubber, Galvanic, High-frequency, Rotary Brush, Spray and Vacuum
Rated Voltage/Power	AC 100-120V~
	AC 220-240V~
Operating Frequency	50/60Hz
Output Power	800 W
Dimension (L*W*H)	47.25*17.3*24.65in.
Net Weight (N.W.)	50 Lbs.

Packing list:

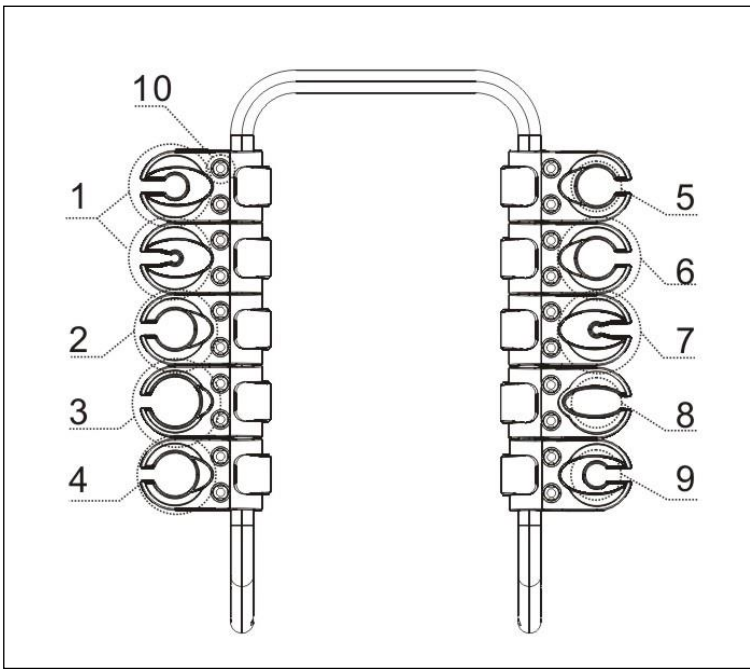
Item	Product Description	QTY	Item	Product Description	QTY
Host Machine		1 SET	Roller Probe		1 pcs
Power Cable		1 pcs	Eyes Probe		1 pcs
Face Probe		1 pcs	High-frequency Electrotherapy Handle		1 pcs
Brush Handle		1 pcs	Mushroom-shape Glass Electrotherapy Tube		1 pcs
Crystallized Small Brush		1 pcs	Spoon-shape Glass Electrotherapy Tube		1 pcs
Fuzz Small Brush		1 pcs	Dot Glass Electrotherapy Tube		1 pcs

Crystallized Big Brush		1 pcs	Straight-Bar Glass Electrotherapy Tube		1 pcs
EVA Big Brush		1 pcs	Suction Hose Tube		1 pcs
Fuzz Big Brush		1 pcs	Spray Hose Tube		1 pcs
Shag Big Brush		1 pcs	Straw		1 pcs
Spray Bottle		2 pcs	Sponge Filter		3 pcs
Sucker		1 pcs	Scraper Knife Sensor		1 pcs
Skin Scraper Knife		1 pcs	Instruction Manual		1 pcs
Magnifying Lamp		1 pcs			

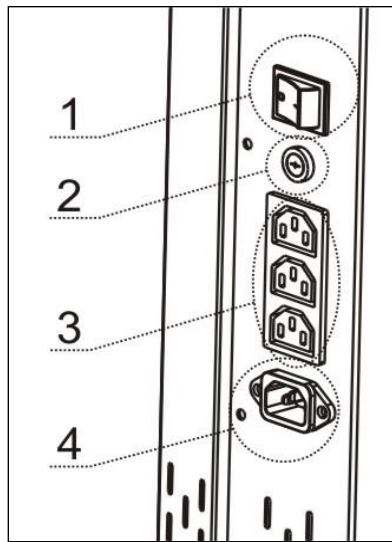


Host Machine Instructions

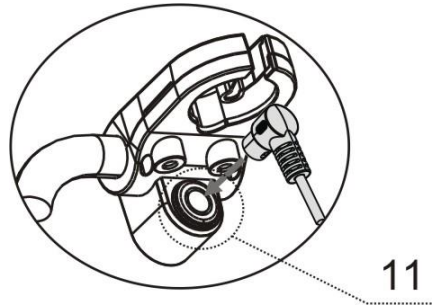
- | | | |
|-----------------------|----------------------------|------------------|
| 1. Spray Arm | 2. Magnifying Lamp | 3. Control Panel |
| 4. Accessories Holder | 5. Power Connection | 6. Water Inlet |
| 7. Magnifying Holder | 8. Spray and Vacuum Output | |



1. Galvanic Probe
2. Brush Handle
3. High-frequency Handle
4. Spray Bottle
5. Face Probe
6. Eyes Probe
7. Sensor
8. Skin Scrubber Knife
9. Vacuum Bar
10. Glass Tube/ Brush Holder
11. Accessory output connection

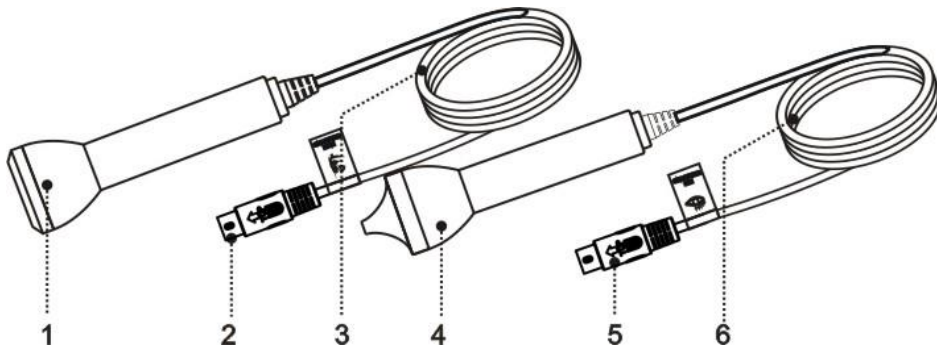


1. Main Power Switch
2. Fuse Holder
3. Power Output
4. Power Input



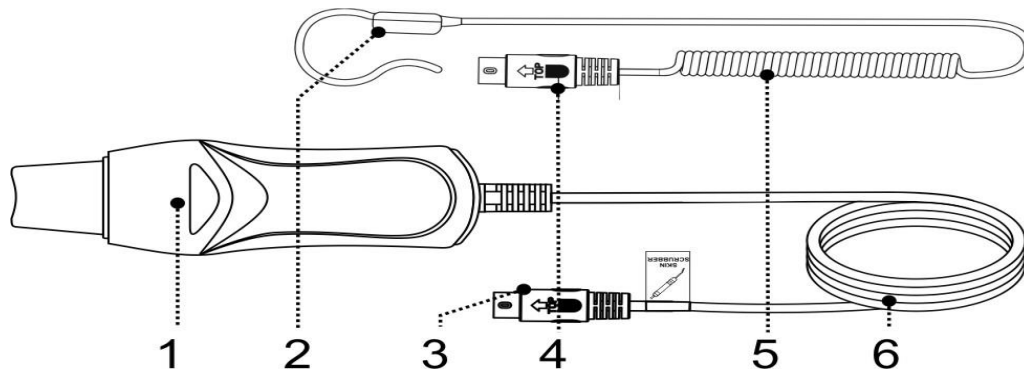
Accessories

•Ultrasonic:



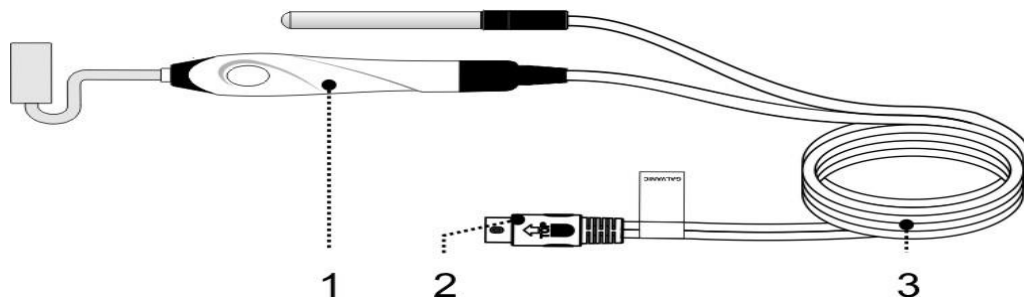
- | | | |
|---------------|---------------------------------------|------------------------------|
| 1. Face Probe | 2. Plug for Face Probe Flexible Cable | 3. Face Probe Flexible Cable |
| 4. Eyes Probe | 5. Plug for Eyes Probe Flexible Cable | 6. Eyes Probe Flexible Cable |

●**Skin Scrubber:**



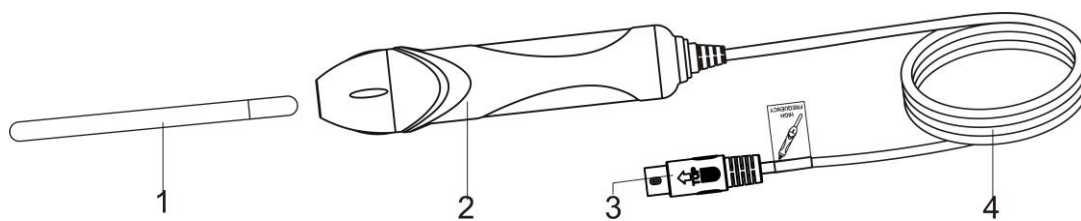
- 1. Skin Scrubber
- 2. Scraper Knife Sensor
- 3. Plug of Scraper Knife Flexible Cable
- 4. Plug of Sensor Flexible cable
- 5. Flexible Cable of Sensor
- 6. Flexible Cable of Scraper Knife

●**Galvanic:**



- 1. Conduction Probe
- 2. Plug for Conduction Probe Flexible Cable
- 3. Conduction Probe Flexible Cable

●**High-Frequency Electrotherapy:**

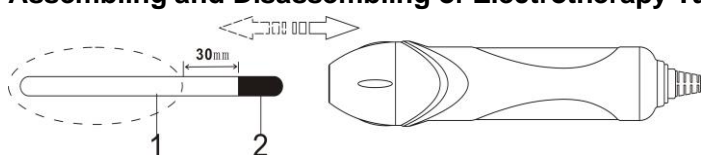


- 1. Electrotherapy Tube
- 2. High-Frequency Electrotherapy Handle
- 3. Plug for Electrotherapy Handle Flexible Cable
- 4. Electrotherapy Handle Flexible Cable

Different glass electrotherapy tubes are for treatment of different areas of the face:

- A: Mushroom-shape Glass Electrotherapy Tube — large area such as cheek, forehead, neck etc.
- B: Spoon-shape Glass Electrotherapy tube — medium area such as chin etc.
- C: Dot Glass Electrotherapy Tube — small area such as nasal pit etc.
- D: Straight-Bar Glass Electrotherapy Tube — Indirect treatment for clients.

Assembling and Disassembling of Electrotherapy Tube:

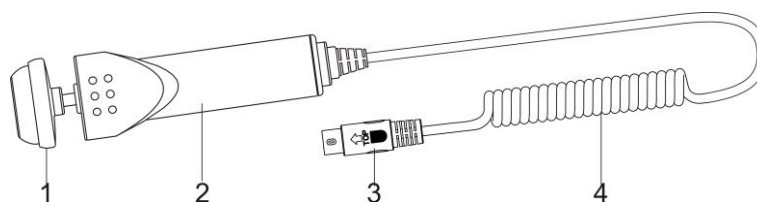


1. Glass Part of Electrotherapy Tube
2. Metal Electrode of Electrotherapy Tube

During the assembling and disassembling of electrotherapy tube, grip the parts within dotted line and keep distance from metal part more than 1.15 inches.

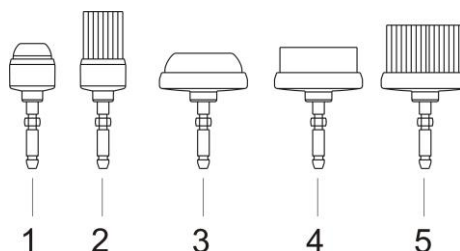
●Brush Handle

1. Brush Head
2. Brush Handle
3. Brush Flexible Cable Plug
4. Brush Flexible Cable

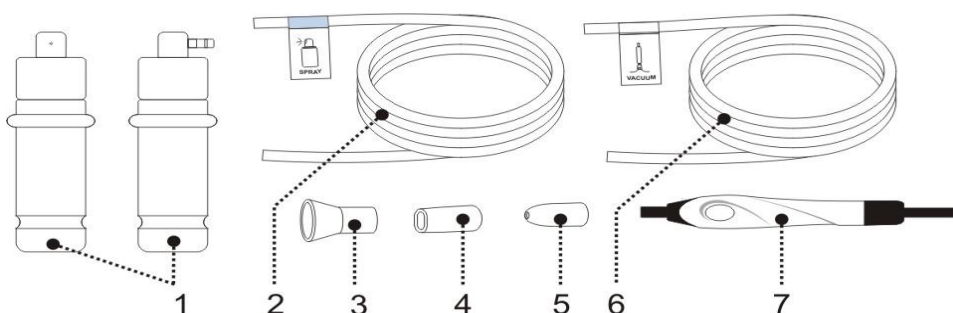


Brushes

1. Crystallized Small Brush: Clean small horn and callus of hands and feet.
2. Fuzz Small Brush: Clean and massage small area of the face, etc..
3. Crystallized Big Brush: Clean large horn and callus of hands and feet.
 - a) EVA Big Brush: Clean and massage large area of the face etc.
4. Fuzz Big Brush: Clean and massage large area of the face etc.
5. Shag Big Brush: Clean and massage large area of the face and other places.



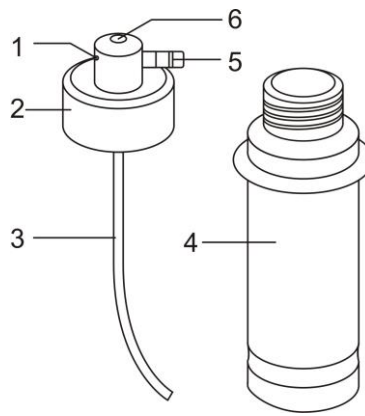
●Spray-Vacuum accessories :



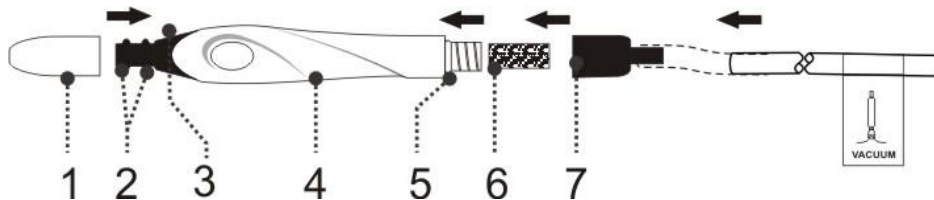
- | | | |
|----------------------|-----------------------------------|----------------------------------|
| 1. Spray Bottle | 2. Spray Bottle Air Flexible Tube | 3. Horn Mouth Sucker |
| 4. Flat Mouth Sucker | 5. Round Mouth Sucker | 6. Suction Bar Air Flexible Tube |
| 7. Suction Bar | | |

Spray bottle:

- | | |
|--------------------|--------------------|
| 1.Nozzle | 2. Cover of Bottle |
| 3. Suction Tube | 4. Spray Bottle |
| 5. Air Inlet Joint | 6. Air Vent |



•Suction Bar:

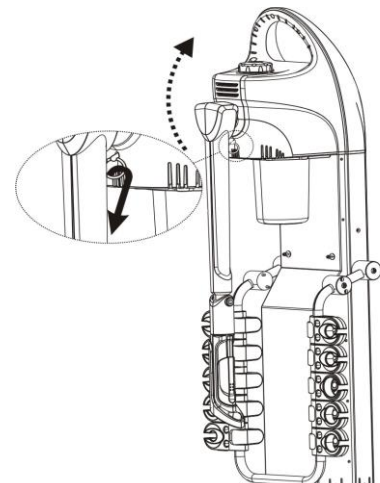


- | | |
|-----------------------------|------------------------|
| 1. Round Mouth Sucker | 2. Seal Ring of Sucker |
| 3. Relief-pressure Air Vent | 4. Suction Bar |
| 5. Seal ring of bar | 6. Sponge Filter |
| 7. Suction bar end | |

Preparation:

1. Unlocking the Spray Arm:

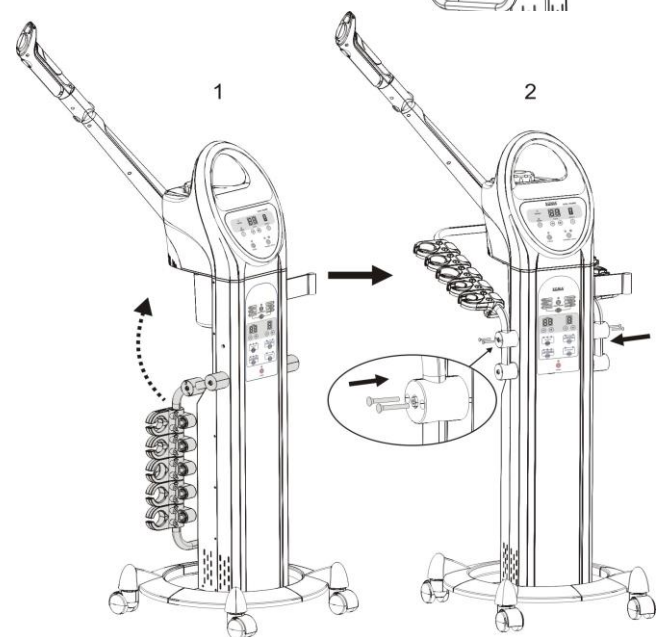
When taking the whole machine out from the packing the Spray Arm is locked in the fixed position. Please pull out the limited lock with one hand (in the direction of the black arrow in the figure), and rotate the Spray Arm to horizontal position (as shown in the following figure), release the limited lock for spray arm to finish the spray arm unlock.

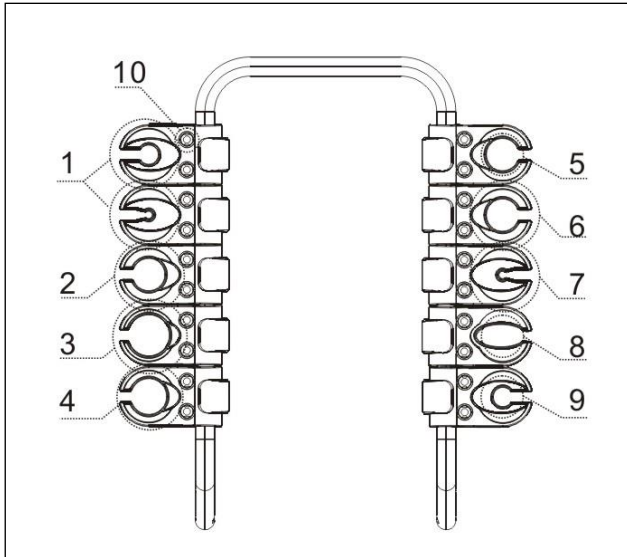


2. Unlocking the Accessory Holder:

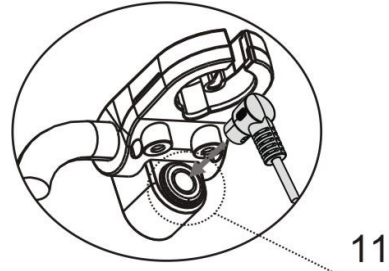
The Spray Arm must be unlocked before the Accessory Holder can be unlocked. Rotate upward the accessory holder (in direction of figure 1) to reach the position (as figure 2) And then tighten with screws.

- Connect the power cable with the host machine.
- Put the accessories into the specified position as shown in the figure and then plug them into the socket if needed (Layout shown in next diagram)

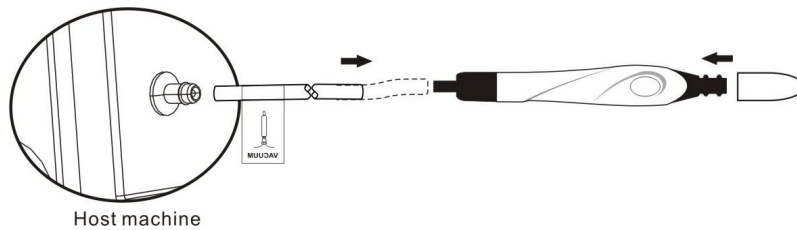




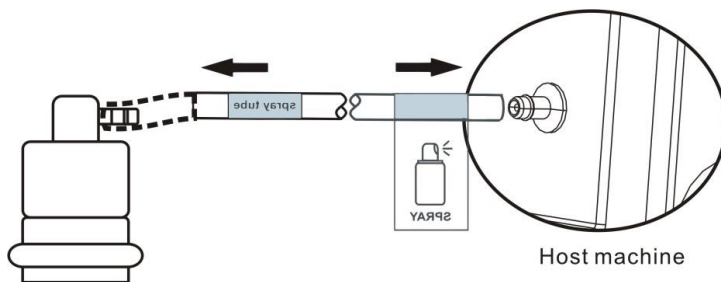
- 1. Galvanic Probe
- 2. Brush Handle
- 3. High-frequency Handle
- 4. Spray Bottle
- 5. Face Probe
- 6. Eyes probe
- 7. Sensor
- 8. scraper knife
- 9. Vacuum Bar
- 10. Glass Electrotherapy Tube & Brush Head
- 11. Accessory Output Port



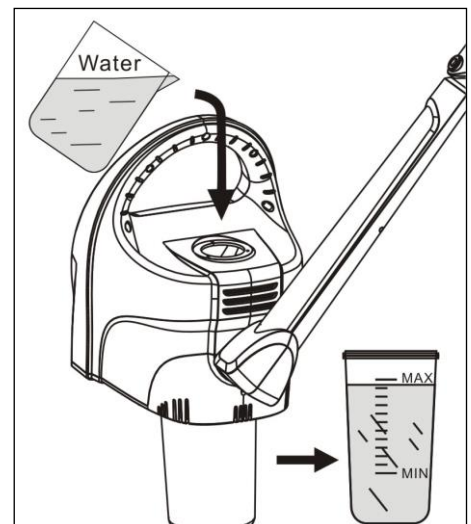
1. Firmly insert one end of the Flexible Air Tube labelled "**Spray Tube**" to inlet of spray bottle and firmly insert the other end into the Spray Function Output of Host Machine, please see the diagram below.



2. Firmly insert one end of the Flexible Air Tube labelled "Vacuum Tube" to inlet of suction bar and firmly insert the other end into the Vacuum Function Output of Host Machine. please see the diagram below.

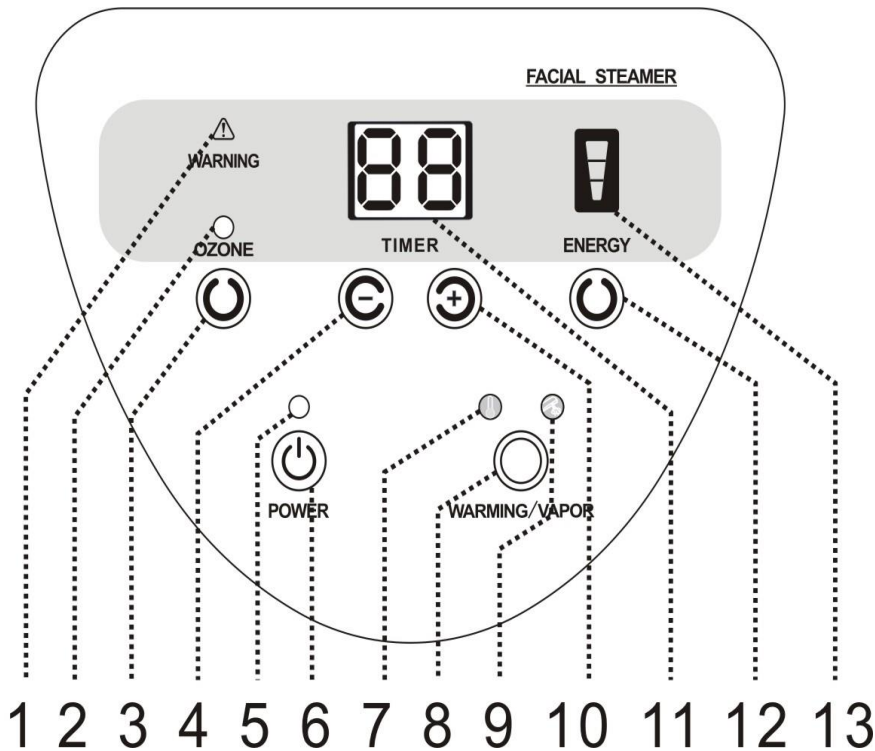


3. Open the water-in cover and pour distilled water or purified water into the Water Inlet with a measured cup. The water level must be between the "MAX" and "MIN" lines. Please see the diagram to the right.



Instruction for Function Operations & Notices:

Hot Spray Function

















1. Low Water Warning Indicator
2. Ozone Working Indicator
3. Ozone Power Switch
4. Time Decreasing Key
5. Power Indicator
6. Power Switch
7. Warming Working Indicator
8. Warming/Hot Vapor Switch
9. Hot Vapor Working Indicator
10. Time Increasing Key
11. Time Display Window
12. Energy Selection Key
13. Energy Display Window

Control Panel Operation:

1. Plug in the power plug.
2. is the power indicator for the power key. When turning on the power key , the motor enters standby status.
 - Time window displays "15" minutes.
 - on the energy window displays the intensity.
 - Ozone Working Status Indicator on the Ozone Switch is off.
 - Spray working status indicator or on the Warming/Hot Vapor Switch is off.
3. Turn on the Warming/Hot Vapor Switch

Hot Vapor Function: Turn on the Warming/Hot Vapor Switch until Spray Working Indicator is on the lights. The Host Machine will begin heating and steam will spout from the nozzle in around six minutes.

Warming Function: Turn on the Warming/Hot Vapor Switch, until Warming Working Indicator is on the lights. The Host Machine begins heating.

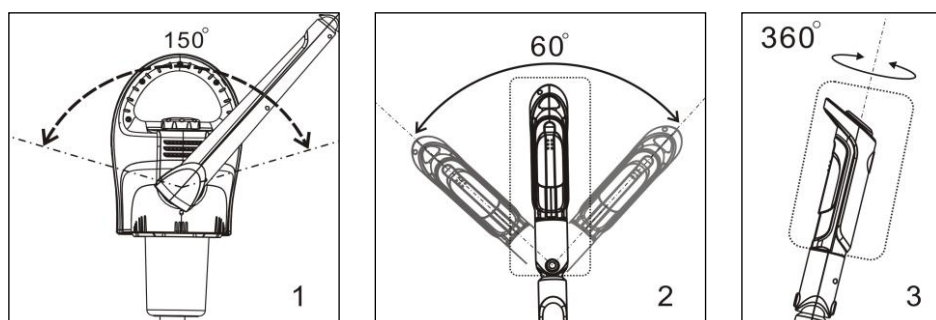
4. Press the minus key  and Plus Key  to set up the working time according needed.
 When Spray Working Indicator , time range of 1~30 min, default 15 min.
 When Warming Working Indicator , time range of 1~90 min, default 30 min.
5. Press Energy Selection Key  to select the output of the mist. There is high, middle and low for selection. The  display window lighting full means the highest energy, by contrast one means the lowest energy. Start using the high function until steam begins, then adjust to desired level.
6. Press the Ozone Switch  until the ozone working status indicator  is on; The ozone pipe then turns on.
7. The host machine detects the water level automatically when heating  or . When the water level is under the normal working level (water level between the maximum and minimum) the Host Machine will begin continuous heating. When the water level is too high, the time display window will display "E2". When the water level is too low, the time display window will display "E1", and the Host Machine will turn off heating right away. The indicator  or  on Warming/Hot Vapor  is off. The buzzer will give the alarm signal "De De" continuously until the water level reaches the normal water level. Afterwards, press the Warming/Hot Vapor  to restart.

Spray arm and spray head setting:

The Spray arm features a special design; It can adjust to different angles to fit different environments as shown in the following diagrams:

1. 150-degree adjustment range left-right.
2. 60-degree adjustment range forward-backward.
3. 360-degree rotation range for Spray Head.

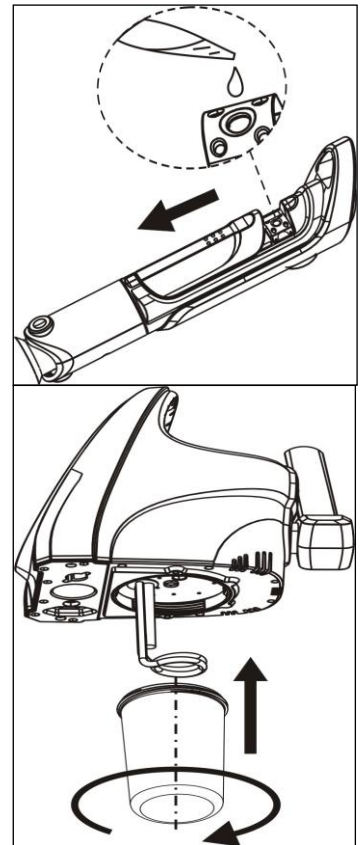
Remark: Do not overexert or apply too much torque, it is easy to damage the joint inside.



Adding essence oil:

If essential oil spray therapy is needed, open the essential oil sliding cover on the top of the nozzle and using a dropper add essential oil onto the cotton pad (one or two drops of essential oil are enough). (As shown in the figure to the right)

If the essential oil needs changing, remove the cotton pad with tweezers. Replace it and add new essence oil.



Water cup installation and removal:

Turn off the power before removing the water cup. Please allow the water cup to cool before taking apart. Hold the Host Machine in one hand and rotate the water cup clockwise from the bottom of the cup.

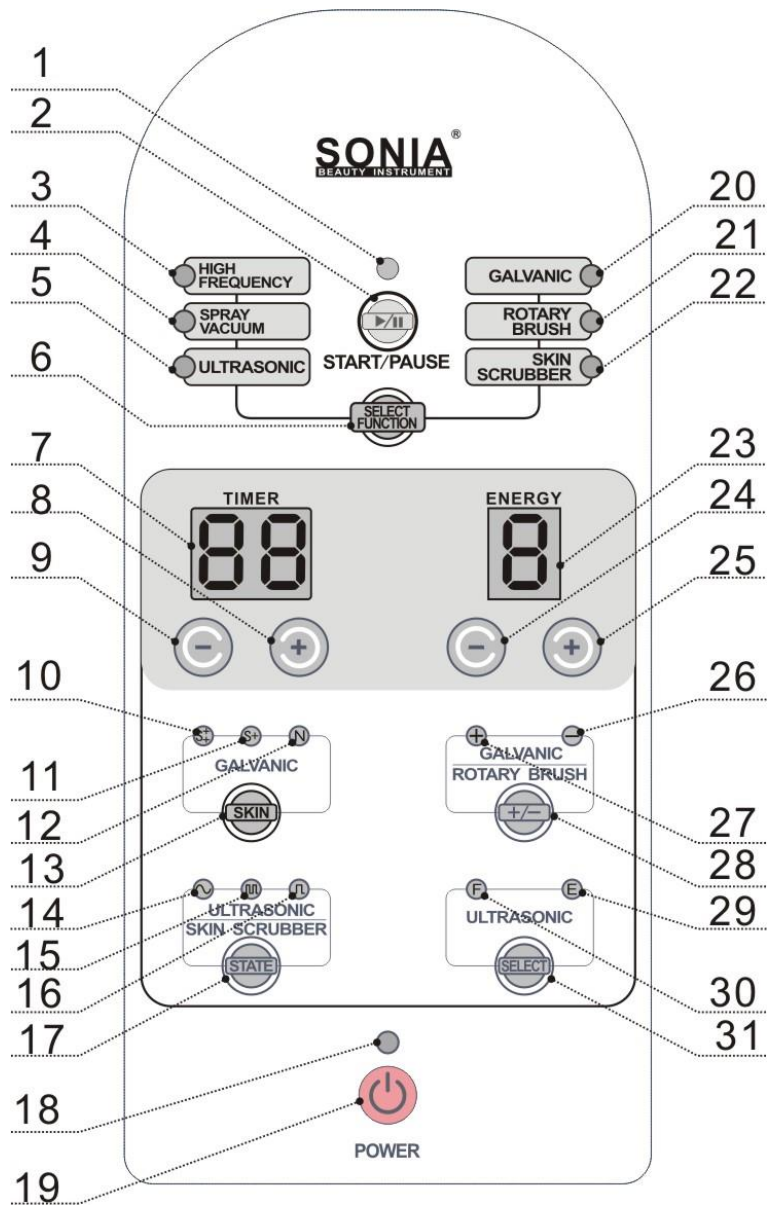
Turn off the power before installing the water cup. Hold the host machine in one hand and rotate the water cup counterclockwise from the bottom of the cup. (As shown in the figure to the right)

●Attention:




1. Before turning on the power of the Host Machine, please confirm the water cup is firmly attached. The water level should be between the highest and lowest water level mark and the water-in cover tightened as well.
2. If essential oil therapy is needed during operation, please add it after pausing the mist spray.
3. The cotton pad in the essential oil base must be changed after every use, minimum everyday if used regularly.
4. Wait for the mist to come out from the spray hole steady and well-proportionally before beginning facial spray.
5. Ensure the spray hole is at least 16in away from customer's face and spray steam should be from customer's chin to whole face proportionally to avoid scalding the customer's face due to hot steam.
6. Ozone has a sterilization effect, but it also will harm skin and destroy nutrients, so it's important to select suitable time for different skin types when using it.
7. Do not over-adjust the spray arm to avoid damaging the joints inside the spray arm.
8. **DO NOT** take the water cup apart when just finishing using the spray otherwise it will scald. Please wait for the water cup to cool before taking it apart.
9. Avoid adding too much water. It is not only bad for the Host Machine, but it may also cause electrical leaking.
10. If problems of water or gas leakage happen underneath the Host Machine or at the herbal medicine cover, remember to turn off the power of the Host Machine first and then check whether the water cup or herbal medicine cover is well assembled and well attached. If the problems are not resolved, please contact the manufacturer.
11. Ensure proper ground connection for the power plug of Host Machine.

Panel instructions:

1. Pause Indicator
2. Start/Pause
3. High-Frequency Electrotherapy Function Indicator
4. Spray/Vacuum Function Indicator
5. Ultrasonic Wave Function Indicator
6. Function Selection Key
7. Time Display Window
8. Time Increase Key
9. Time Decrease Key
10. Extremely Sensitive Skin Indicator
11. Sensitive Skin Indicator
12. Normal Skin Indicator
13. Skin Selection Key
14. Continuous Wave Working Indicator
15. Hybrid Wave Working Indicator
16. Broad Pulse Wave Working Indicator
17. Waveform Selected Function Indicator
18. Power Indicator
19. Power Switch
20. Galvanic Zwitterions Conduction Function Indicator
21. Brush Function Indicator
22. High-frequency Electrotherapy Function Indicator
23. Energy Display Window
24. Energy Decrease Key
25. Energy Increase Key
26. Cation Conduction Working Indicator
27. Anion Conduction Working Indicator
28. Ion Conduction Selection Key
29. Eyes Probe Working Indicator
30. Face Probe Working Indicator
31. Probe Selection Key



●High-Frequency Electrotherapy Function Adjustment:



When in stand-by, press  to select High-frequency Electrotherapy Function. The indicator  illuminates and the Host Machine enters the adjustment status. Under this status, it is ok to adjust as needed. After setting, press the  key to turn on the Host Machine output.


Direct Electrotherapy:

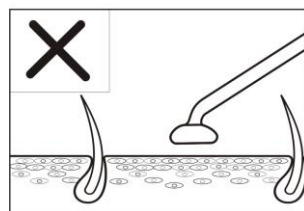
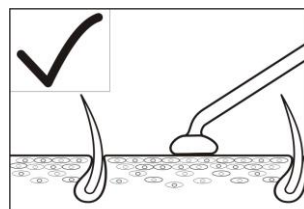
1. The beautician holds the handle of High-frequency Electrotherapy (see figure to the right) and adjusts "ENERGY" to minimum level. **DO NOT** contact the glass electrotherapy tube with hands, metal, or the switches on the power of Host Machine,





2. Contact the cured part of client with glass electrotherapy tube (see figure

to the right), and presses  till the indicator  lights, slowly press

"ENERGY"  key to adjust the energy output and the glass tube will generate ionization lighting until there is an output of warm high-frequency current. When face creams or a face mask are being used by the client slowly move the glass electrotherapy tube from neck toward chin, face, cheek, nose, and forehead. During the process slowly adjust the "ENERGY" level as needed. When there has been heat




generated on the face skin, it will provide sedation and appeasement due to the High-frequency Electrotherapy. Meanwhile it has a bactericidal effect and is suitable for oily and acne skin.

3. After the operation ends slowly adjusts the "ENERGY" down and press the  key until the pause indicator  lights and the output of the Host Machine pauses. Then take away the glass electrotherapy tube contacting with face.

The Functions of Direct Electrotherapy:

1. Warm vibration is good to appease the skin.
2. Stimulates the circulation of blood and provides nutrition for skin to improve glossiness and elasticity of skin.
3. Promotes cell metabolism helping the breathing and excretion of skin.
4. The heating effect on the skin will increase the cell permeability and helps to improve the absorption ability of skin and enhance the treatment effect.

Indirect Electrotherapy:





First the client holds Straight-bar Electrotherapy Tube, switches on the power, then presses  and adjusts "ENERGY" to level as needed as the beautician gives a massage to the treatment area. During the entire process the beautician does not contact the electrode and before taking away the electrode bar must

press  until the pause indicator  lights and continue after the output stops.

Functions of Indirect Electrotherapy:

1. Stimulates the circulation of blood and promotes cell metabolism.
2. Adjusts and recovers the absorption of nutrition and resistance to bacteria.
3. Enhances the activity of cells under the skin with a current to improve the massage effect.

Notice for High-Frequency Electrotherapy Operation:

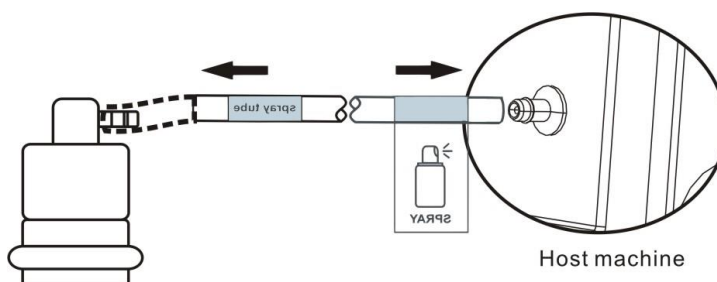
1. Squeak sounds are normal during the operation of electrotherapy handle.
2. When direct electrotherapy is used the spark may arc when the glass electrotherapy tube keeps a distance less than 1 inch from the skin, and it would simulate the skin which could be uncomfortable. Therefore, the energy level should be adjusted to the minimum before contact with skin. If a spark is felt, a dry cotton yarn can be used to cover the face (Refer to fig. to the right.).
3. The electrode tube should be tightly pressed against the face without any gap if direct electrotherapy is available otherwise it is easy to generate a spark and stimulate the skin.
4. For treatment of face, we recommend 8 minutes for oily skin and 3~5 minutes for dry skin. The current intensity is stronger for oily skin versus dry skin.
5. When operating with indirect electrotherapy the beautician should keep one hand on the face of the client to prevent cutting off the current.
6. To prevent electric shock, first press  before the glass electrotherapy tube contacts the skin then slowly increases the energy.
7. When removing the glass electrotherapy tube, first adjust the energy to the minimum level and press  to shut down the output until the pause indicator  lights, then remove.
8.  **POWER** must be turned off when installing and uninstalling the glass electrotherapy tube.
9. Each glass electrotherapy tube must be kept clean, dry and sterilized before and after each use.
10. The electrotherapy handle can be cleaned with a towel but DO NOT clean with water. If it is soiled by oily dirt, it can be cleaned with isopropyl alcohol, and kept in a dry place.



Spray and vacuum function:

Spray function:

First check if the flexible tube of the spray bottle connects appropriately with the interface between the host and spray bottle (see the Fig. to the right). Switches on the power of host adjust working time and energy level, and the host has output paused.

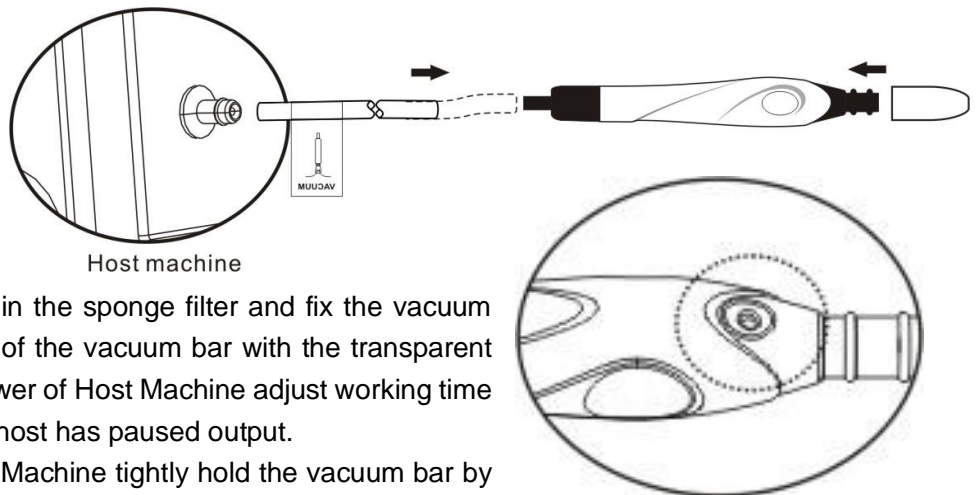


During the start-up of host output, tightly hold the spray bottle by hand and gently press the vent at the top of the spray bottle with fingers for the mist to spray from the mouth; two spray bottles can be prepared for different liquids and the bottle can be switched based on need; pause the output when switching the spray bottle.

Caution should be used when treating critical parts e.g. Mouth, nose, eyes. Please close the eyes and mouth to prevent liquid being sucked into the naris and direct the spray under the chin while keeping appropriate distance from the face. After spraying, pause the host and collect the remaining liquid on the surface with a cotton pad or soft paper.

Vacuum Function:

First check if both ends of the vacuum tube connect appropriately with corresponding interface (see figure to the right). Check the end of vacuum



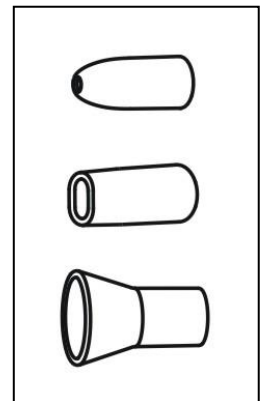
bar to see if the sponge filter is available; if not, fill in the sponge filter and fix the vacuum bar. Connect the front-end of the vacuum bar with the transparent sucker. Switches on the power of Host Machine adjust working time and energy level when the host has paused output.

During the start-up of Host Machine tightly hold the vacuum bar by hand (like holding a pen) and move the bar to the working location.

When the nozzle of the transparent sucker contacts the skin, slightly press the relief-pressure air vent. The skin contacting the sucker is absorbed and the nozzle should be moved around the bar on related parts to allow absorption of black heads and acne in skin.

Different suckers should be selected based on the different skin areas:

1. The Roundlet mouth sucker is used for blackheads or acne in small areas of skin
2. The Flat mouth sucker is used for blackheads or acne in narrow areas of skin;
3. The Horn mouth sucker is used for blackheads or acne in large areas of skin.



Notices for Operation of Spray, Vacuum Functions:


1. Carefully check the label on the flexible air tube to prevent an incorrect connection.
2. The Host Machine should be paused if the spray bottle or sucker needs to be replaced during use.
3. During the use of the vacuum or spray function, **DO NOT** bend the flexible tube or block air inlet. This may directly cause damage to the Host Machine.
4. Any crack on the nozzle of the flexible tube will directly impact its function. Cut the cracked part with scissors and re-connect the hose with the corresponding joint.
5. During use of spray function:
 - a) Manage the spray mist volume to prevent the waste of skin refreshener.
 - b) To prevent water dropping onto the neck, protect it with a water basin or towel.
 - c) **DO NOT** spray towards the naris or mouth, to guarantee the client can breathe.
 - d) **DO NOT** fill spray bottle with a liquid with low viscosity in order to prevent any blockage.
 - e) The spray bottle should be cleaned with distilled or purified water after each use and wiped dry and sterilized for next time use.

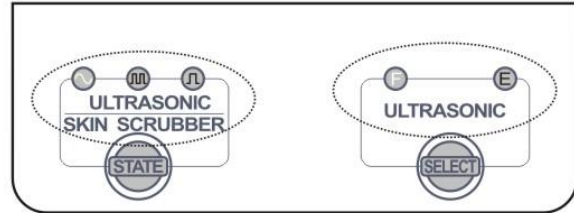
6. During the use of the vacuum function:
 - a) The skin should be cleaned and softened before use.
 - b) The suction intensity of the vacuum tube should be controlled carefully. High suction could cause skin lesions and coagulation of the blood below the surface of the skin. The beautician first should try with their own hands and move to client skin after adjustment of suction.
 - c) When the treatment is applied to fix sections of skin the press time of the relief-pressure air inlet should be controlled by fingers to prevent prolonged time of suction and become purple.
 - d) The sucking frequency should be increased for oily and/or thick skin. Suction is not allowed to be used for skin with Telangiectasis.
 - e) **DO NOT** use for eye skin or on faces with inflammation.
 - f) **DO NOT** frequently use the vacuum suction to prevent enlarging of the skin pore.
 - g) The vacuum bar should be uninstalled each time after use and cleaned, wiped dry, and sterilized for next use.
 - h) The clean sponge filter should be replaced after each use. **DO NOT** use the vacuum bar without the sponge filter as this will directly damage the Host Machine.


●Daily Maintenance



1. The flexible cable of the Probe and Host Machine must be kept tidy. **DO NOT** twist the cable.
2. Be careful when using the Probe. It should be kept clean and dry. Sterilize with ethanol or other agents after each use.
3. Each glass Electrotherapy Tube must be used carefully and kept clean, dry, and sterilize before and after each use.
4. The function of the Electrotherapy Tube should be checked frequently. The test method is putting the tube to be tested into the handle, place the handle stable on the table, connect with the cable of the Host Machine and start up the Host Machine. Gradually increases the energy output as you go. It is normal to observe lighting in the Electrotherapy Tube.
5. The Suckers should be kept clean, dry, and sterilize after each use and appropriately stored.
6. The nozzle of the spray bottle should be kept clean and unclogged.
7. Protect the flexible air tube from damage to maintain the function.
8. Periodically wipe the instrument with a dry dishcloth and place down to dry in a well-ventilated area. The cable of the instrument should be tidy, but **DO NOT** twist the cable.
9. The instrument should be wiped with dry dishcloth. **DO NOT** wet in water.
10. Please switch off the main power after use and remove the power plug when finishing a workday.
11. The instrument **SHOULD NOT** be placed in sunlight, rain, moisture, dust and/or a smoke accumulating area.


Ultrasonic function:

In stand-by, press  to select ultrasonic wave function. When the ultrasonic wave function is selected, the indicator





 lights and the Host Machine enters adjustment mode for ultrasonic wave with time


display "15" mins and energy display " 5". The probe selection key  has  on the face probe

indicators and the waveform selection key  has  displaying continuous wave indicators.


In this status, it is ok to adjust the time and energy as needed as well as the probe and waveform function.

Output probe selection: Press the  key for Ultrasonic Wave control to select the probe.


If indicator  lights, the face probe is selected.


If indicator  lights, the eye probe is selected.

Waveform output selection: Press the  key to select output waveform.

The indicator  light means Continuous Wave Output.

The indicator  light means Hybrid Wave Output;


The indicator  light means Board Pulse Wave Output.

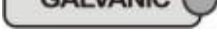
After adjustments are complete, press  to start or pause the output from Host Machine.

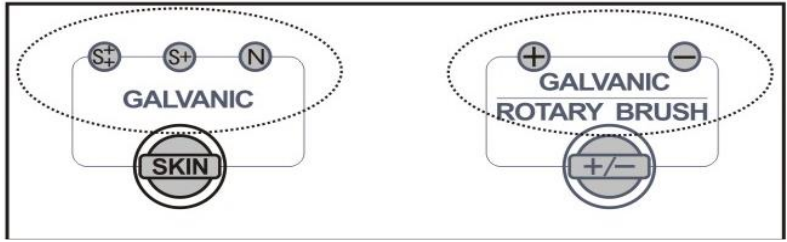
Notice for Ultrasonic Wave Operation:


1. The probe should be kept clean and dry. Sterilize with ethanol or other agents after each use.
2. **DO NOT** use the probe toward eyes when uses ultrasonic wave.
3. The skin care essence should be supplemented in time if insufficient to moisturize the skin.
4. The treatment time should not more than 15min. and should be shorten appropriately for the small area to be nursed, too long time would cause tired of skin and is not good to absorb. The probe should not stay a long time on one part of skin area to prevent any skin lesion.
5. During the course of treatment, it should prevent a long time treatment under the condition of maximum energy output which will not only impact on the absorption of skin but even cause skin lesion.


Galvanic Function:


While in stand-by, press  key to select the Galvanic function.


The indicator  light means the host machine entered adjustment mode; In this status, it is ok to adjust as needed.




Skin type selection: Press  to select the appropriate type of skin.


The indicator  light means normal skin type is selected.



The indicator  light means sensitive skin type is selected.

The indicator  light means extremely sensitive skin type is selected.

Ion Conduction Polar Selection: Press  to select the output polar for Probes.

The indicator  light means Cation Conduction

The indicator  light means Anion Conduction.


Start or pause output: After stand-by/adjustment completes, press  to start or pause output from the Host Machine. When the host is starting output, the start-up working indicator  lights.



When the host is paused or on stand-by, the pause indicator  lights.



There are three operation methods based on different treatment effects of Zwitterions Conduction Function:

1. Single-polar Conduction Method by the beautician



- (1) Coat directly with half of the plant essence on skin, and the other half soaking the cotton pad and rolled on the probe.

- (2) Switch on the power of the Host Machine and press  to adjust Energy to min. level. Let the client hold the electrode bar while the beautician places the probe on the neck of the client.

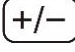

Pressing  starts up the Host Machine then press  to adjust for Cation Working State

and adjust energy output as needed via Energy Key  or  (A slight stinging sensation is felt).

- (3) The probe is moved slowly in the shape of a “Z” on the face or part of the neck while keeping contact with the skin during the whole course duration of 3~5 min.

- (4) After operation, press  to pause the output, switch off  POWER, then remove the probe as well as the electrode bar held by the client.



2. Impurity Export

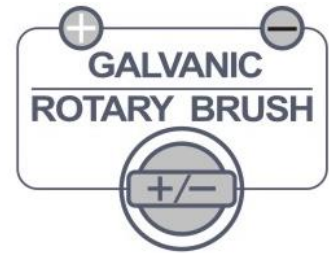
When performing Impurity Export, the probe should be adjusted to negative electrode while the electrode bar or probe held by the client should be connected to the positive electrode. Use special essences for Impurity Export, or saline to soak the cotton pad and roll the probe, or a thin layer cotton yarn or face mask soaked with essence on treatment areas. Then press  to adjust to  Anion Working State. The other steps are the same as for Cation Working State.





Notice for Operation of Galvanic Zwitterions Conduction:

1. The zwitterions conduction instrument is normally used after cleaning the skin and before massage. Before treatment, the face should be cleaned and dried to prevent bringing any residual cleaning agent into the skin.
2. The probe should be rolled tightly with a cotton pad and the current adjusted from weak to strong gradually to maintain a light stinging sensation throughout the service.
3. During the treatment, the hands of the beautician **SHOULD NOT** touch any metal part of the probe.
4. The conduction is applicable to dry skin (insufficient water), decrepitude skin (insufficient nutrition) and oily skin. The different liquid beauty products should be selected according to the different skin types, but the beauty product for oily skin will prevent permeation.
5. After operation, clean the roller and metal bar then store in a dry place.
6. When the polarity is set up for positive electrode, the stinging sensation of the roller probe will be felt stronger than for negative electrode and weaker on the contrary. Please select as needed.
7. During treatment, the client CANNOT wear any metal ornament or jewelry, and clients with gold teeth or metal contained in the body (Piercings or Implants) are not allowed to use.
8. Clients with sensitive skin, injury, inflammation, Telangiectasia and/or pregnant women are not allowed to use this instrument.
9. The pH of the nutrient solution should be appropriately matched with positive and negative electrode of rollers. When the roller is in the positive electrode, the solution should be acidic (+) and when the roller is in the negative electrode the solution should be basic (-). If the pH of the used nutrient solution is not indicated, a pH test paper could be used to help determine.
10. During operation **DO NOT** directly contact the metal part of roller or round probe. If contacted by accident, the Host Machine will activate auto-protection. You should separate the probe at once and the Host Machine will cancel the protection and continue treatment.

●Rotary brush cleaning function



While in stand-by, press  until the indicator  lights and the Host Machine enters adjustment status; In this status, it is ok to adjust as needed. The Time display will read "15" and the Energy display will read "5";




 has a clockwise swirling output status indicator on the left side indicating  is on and the  start indicator at right side of  is off.

In this mode working time, energy output, and the swirling direction can all be adjusted as needed.

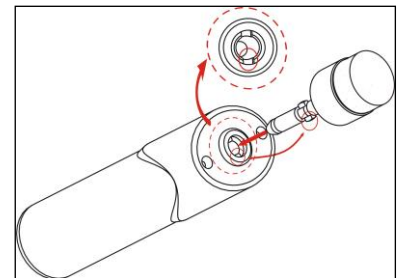
Brush swirling direction selection: Press the  key to select output of the brush.

Indicator  is clockwise swirling and indicator  is counterclockwise swirling.

When changing the swirling direction on the brush, the Host Machine will enter protection status. It will switch automatically when the brush stops spinning. After setting, press  to turn on the Host Machine output.

Changing brush:

1. Removing brush: Hold the brush handle in one hand and the plastic part of the brush with another. Pull the two in opposite directions and the brush will pop out easily with a “Ka” sound.
2. Attaching brush: Hold the brush handle in one hand and the plastic part of the brush with another. Rotate and push in opposite directions, then the brush will pop in easily with a “Ka” sound.
3. For removing or attaching the brush, only handle the plastic part by hand, not the material of the brush (e.g. EVA or fuzz etc.). This will damage and even destroy the brush.





Cleaning skin:

1. First use the sprayer or clean water to soften the skin.
2. Wipe skin care product (e.g. cleaning milk or cleaning jelly etc.) evenly on skin, according to the characteristics and needs for cleaning the skin area. Choose the suitable brush and attach it to the brush handle. Dip a little water on the brush and move it to the treatment area and turn on host machine then can be come to cleaning and massage.
3. Keep skin moist during the entire treatment.
4. After cleaning with brush, wipe the skin care products with a towel or facial tissue and then clean the skin with a moist towel or facial cotton.

Precautions for the Brush function:


1. Before using the brush, please ensure the brush is firmly inserted into the brush handle.
2. Turn down the rotation speed of the brush before touching the customers' skin; when touching the customers' skin it must be done gently to avoid causing the customer to feel uncomfortable.
3. When using the brush to clean or massage skin, please use thick skin care products and turn down the rotation speed of the brush to avoid having skin care products splashed and wasted.
4. If you need to change the brush during use, please stop the Host Machine and wait for the brush to stop before removing and attaching.
5. Please clean and sterilize all the used brushes after finishing and store them in the dry place.
6. **DO NOT** clean the brush handle with water. Instead wipe it clean with a towel and store it in the dry place.

•Skin Scrubber function:

In stand-by, press  until the indicator  lights indicating the Host Machine entered adjustment mode; under this status, it is ok to adjust as needed. The Time display will show "15"; the Energy display will show "5"; the Continuous Wave




indicator  is on and the  start indicator above  is off.


In this mode, press  to start or pause the output of the Host Machine.


Time setting: Press  and  to set the working time of the Host Machine

Energy adjustment: Press  and  to control the energy output of the Host Machine

Waveform output selection: Press  to select waveform output.

The indicator  means Continuous Wave output.

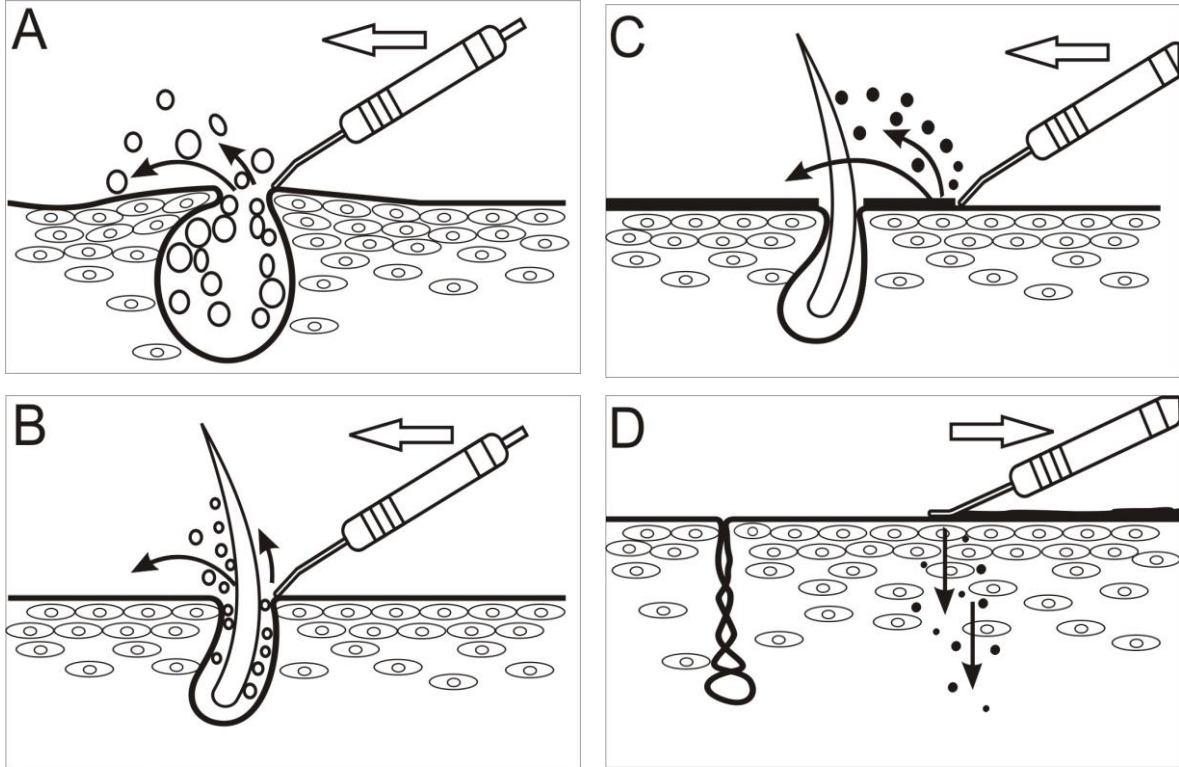
The indicator  means Hybrid Wave output.

The indicator  means Board Pulse Wave output.

After finished setting, press  to start the facial treatment.

Cleaning skin:

1. Use sprayer or cleansing water to soften the skin to be cleaned.
2. Attach the sensor to the wrist of customers.
3. Press ENERGY key to adjust energy to the desired strength.
4. Wipe skin care products on the skin surface evenly and make sure to keep the skin moist.
5. Reference figures A,B,C, and D for use cases



A. Eliminate acne without pain (Figure A).

Ultrasonic can split the mature acne into smaller particles in a short time using vibration and the whole process is painless.

B. Clean-up eruption (Figure B)

With 25,000 Hz vibration frequency eruption in the pores and cosmetic residue can be cleaned very quickly.

C. Cleaning skin (Figure C)

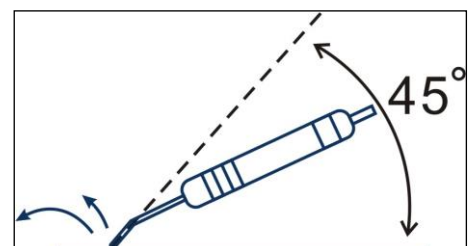
Scraper knife and be used to clean dirt and aging skin.

D. Import massage (Figure D)

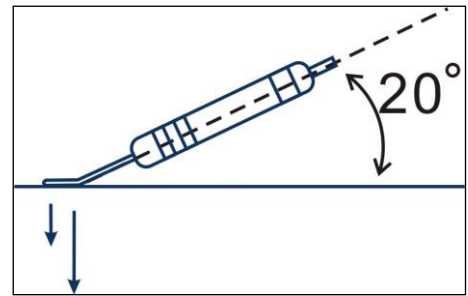
Place the head of the scraper knife on the surface skin flatly, and use back and forth motion to import essence to the skin effectively (Figure D).

●Attention:

1. Don't place the working head of the scraper knife on the skin for too long to prevent damaging the skin.
2. Pay attention to the intensity when doing skin care. Place the scraper knife 45 degree with the skin is best (As shown in figure to the right).
3. Keep the skin moist during the entire treatment.

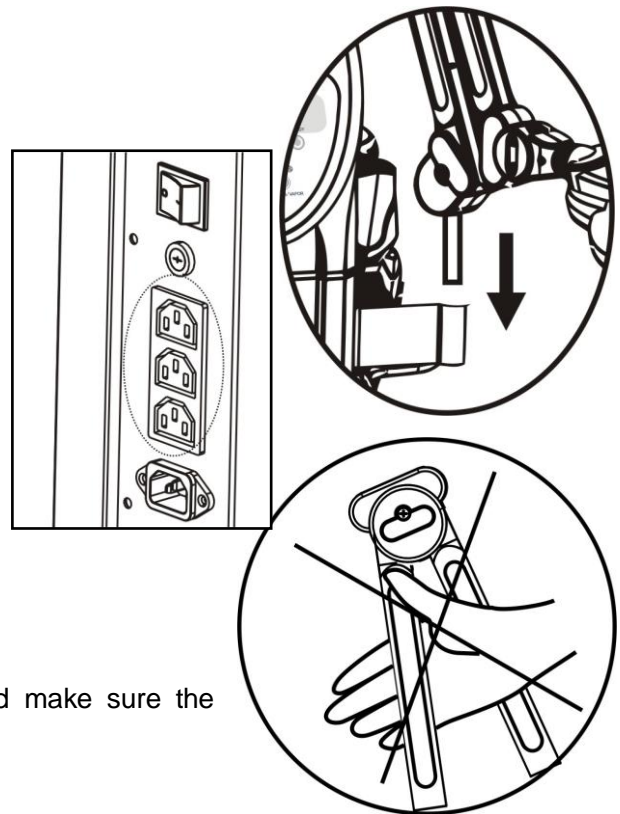


4. Keep the scraper knife at 20 degrees with the skin when doing import massage (As shown in figure to the right)
5. Do not over pull on the cables of accessories.
6. Handle the scraper knife gently when using it and clean it after every use, but do not put it in water to clean. After cleaning, wipe dry and sterilize before storing in a clean and dry place.
7. Clean and sterilize the sensor after every use and store it in a clean and dry place.



●Operating instructions:

1. Put the magnifying lamp in the host machine.
(As shown in figure to the right)
2. Connect the plug to the socket correspondingly.
(As shown in figure to the right);
3. Open the anti-dust cover and adjust to the correct position using the adjustment joint.
4. Turn on the power switch and begin.



●Attention:

1. While setting up or moving the magnifying lamp, watch any fingers near the middle of the upper and lower arms to avoid pinching.
2. Clean skin before operation
3. Turn off power after operation
4. Remove power if not to use for extended time and make sure the machine is clean and kept in a suitable place.

●Warning!

When using the hot spray function

- **DO NOT** put oily material into the water cup or herbal net; it may cause problems with the water spray.
- **DO NOT** spray steam from above the face of the client to avoid scalding.
- **DO NOT** put this machine in an over humidity environment to work, for example: bath room etc.
- **DO NOT** use under direct sunlight as this will cause many kinds of unsteady conditions.
- If there are any issues, please contact the agency to let professional maintainer to repair instead of opening the host machine cover to repair by you.
- If the power cord is destroyed, contact the manufacturer.

When using high-frequency electrotherapy function:

- During High-frequency Electrotherapy, **DO NOT** allow contact with any metallic objects and any such object should be removed if wearing.
- Clients with sensitive skin, patchy skin, patients with acne rosacea, wounded skin surface, pregnant women, and those with implants (e.g. pacemaker, steel hip) **CAN NOT** use this function.
- When using High-frequency Electrotherapy, **DO NOT** use creams and face masks that contain ethanol. If toner with ethanol content is required, it can be applied after the High-frequency Electrotherapy.
- **DO NOT** angle the electrotherapy tubes toward the eyeball.

- **DO NOT** touch High-frequency Electrotherapy main input port or handle input port while live.
- Cables should be fixed firmly with the corresponding outputs of the Host Machine
- This instrument should only be operated by professional beauticians because high-frequency interference will be generated during use. **DO NOT** use close to other electronic instruments. **EXERCISE CAUTION DURING USE.**

When using Galvanic Zwitterions Conduction Function:

- Patients with the following diseases are not suitable for this function: heart disease, infectious disease, neuroticism, and metal body mods or implants.
- **DO NOT** allow the probes to touch together for a long time.
- Keep the skin moist.
- **DO NOT** use the sliding roller if it cannot rotate.
- **DO NOT** spray water or other corrosive liquids on the Host Machine during use.
- **DO NOT** use round or roller probe with a damaged surface or that is rusty or worn to prevent injury. Be careful to protect the probe to prevent any scrapes or damage.

When using Ultrasonic Function:

- **DO NOT** use the probe without facial treatment. Overheating will shorten its service life.
- **DO NOT** try to separate the stainless probe and handle as it will damage the probe.
- **DO NOT** put the probe into water for cleaning as it will damage the probe.
- Change the probe if it is damaged or the surface is scratched.

When using Rotary brush function:

- **DO NOT** use it for an extended time as it will cause the brush handle to overheat.
- **DO NOT** change brush during use.
- **DO NOT** grasp the brush when it is in use or when you start.
- **DO NOT** use a crystallized brush because it has abrasion.

When using Spray, Vacuum Function:

- Take care of the flexible tube connecting accessories and the Host Machine. **DO NOT** over-pull.
- **DO NOT** spray water or other corrosive liquids on the Host Machine during use.
- **DO NOT** connect the flexible tube of the spray function with the output of the vacuum function or connect the flexible tube of vacuum function with nozzle of spray bottle.
- **DO NOT** use the sucker with the edge angle or sharp edge worn and damaged. Please contact the distributor.

Notices for the using functions of the host machine:

1. During use, the cables between accessories and the Host Machine should not be pulled or tugged.
2. If the main cord is broken or damaged, contact the manufacturer. It is recommended to use accessories from the original factory.
3. The Host Machine should be turned off and the attached plugs removed if any abnormal conditions occur. Contact the manufacturer immediately.
4. **DO NOT** place or use in a bathroom or other wet places.
5. **DO NOT** place with inflammable and explosive objects.

Appendix:

Introduction to Working Principle

●ULTRASONIC:

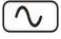

Ultrasonic is referred to wave of mechanical vibration with the frequency of 20,000Hz above which cannot incite the sense of hearing of human. The function mainly include the following three aspects:

(1) The Mechanical Effect

The ultrasonic with more power than normal waves, will speed up the movement of the cells as applied to human body, generate a certain massage-like effect and energy to change the cells. Meanwhile, the ultrasonic can cause the cytolymph movement, granoplasam rotation, particle chattering and rubbing, and stimulate the semi-permeable membrane diffuseness, which contribute to improve the partial blood and lymph circulation, strengthen the permeability of cells, and enhance the power of metabolism and regeneration of body tissues.

The mechanical effect of ultrasonic bears the functions to soften the tissues, strengthen the permeability, promote metabolism, accelerating blood circulation, and excite the nervous system and cells. When applied to human body, it can transfer the energy to the deep skin. Therefore, ultrasonic has a better curative effect than mechanical massage.

(2) Warming Effect

As a treatment method only inferior to the mechanical effect, the warming effect of ultrasonic is kind of inner-generated heat, and 79-82% of the heat generated is transported by the self action of the blood, while the remaining 18-21% is dispersed to the near body tissues via the heat transfer. Therefore, the patient has no obvious feeling when the ultrasonic is applied to beautification. The degree of temperature rising of body tissues caused by different treatment methods is also with differences. Under the same condition of continuous ultrasonic wave radiation (the panel sign is ), the fixation method can cause higher temperature rising than the moving method. The heat effect generated by the pulse radiation is much less (the panel sign is ) while it is in application.

In the same position, the warming effect of ultrasonic can cause the speeding of the blood flow and change in the process of metabolism, also can strengthen the blood circulation, reduce the nerve excitement, calm the pain, and relax the convulsionary muscle fiber gaining a function of relaxing convulsion.

(3) Chemical Effect

The biochemical effect is produced mainly by the polymerization and decomposition reaction. Polymerization reaction refers to a process of some same or similar molecules forming bigger molecules. A small amount of ultrasonic can boost the growing and producing process of the protein compound in the cells, and stimulate the reproduce of the damaged tissues;while treating amount of ultrasonic can stimulate the protein synthesis of the fiber cells. Decomposition reaction is a process in which the viscosity of big molecule gets reduced, and the molecular weight decreased, causing the temporary fall of viscosity of the drug solution, which is beneficial for the drug to be absorbed easily.

Therefore, ultrasonic possesses the chemical function of speeding up metabolism and strengthening catalysis, meanwhile urges the tissue PH value to change towards alkaline, so it can refrain the swell and pain caused by the skin inflammation. Ultrasonic can promote the permeability of cell membrane, which is favorable for the drug to disperse and penetrate into the bacteria, then

improve the ability of sterilization.

In conclusion, ultrasonic with the mechanical effect, warming effect and chemical effect can massage partial tissue cells slightly, raise the temperature of partial tissue layer, strengthen the diffusion of cell collide solution, excite the cells, thus the blood circulation gets strengthened, the tissues softened, chemical reaction sped, metabolism enhanced, protein molecule and various enzymes affected, Ph value changed, and bioactivator content differed, etc.

Beauty Functions of Ultrasonic

1. Soften thrombus and eliminate blush: It adopts ultrasonic pulse in treatment and combines with proper blood activating and gore decomposing ointment. Due to the mechanical function, heat effect and physical chemistry property of ultrasonic, it can properly massage blood vessels in distorted, soften thrombus, exangia, accelerate blood circumfluence, promote metabolism, rectify distorted micro vessels and gradually restore to the normal with effect of eliminating blush.
2. Soften sclerosis, eliminate fat and cure acne: There are many types of acnes including purulent acne and comedones. However some acnes are big, inflamed, hard and painful. They may get hard and form scars easily if not treated properly. As for these acnes, you'd better not puncture and press early. You'd better apply acne antiphlogistin and gently massage on the surface of acne with ultrasonic beauty machine. You may massage one single acne or the area with several acnes also. Ultrasonic can impact lymph, accelerate blood circulation and eliminate lymph liquid. Inflamed cells will transform under the influence of ultrasonic. Moreover with conduction of antiphlogistic by ultrasonic, it can mitigate hyperaemia of inflamed acnes and gradually soften skin sclerosis.
3. Eliminate flecks and fade splashes: Ultrasonic can destroy inner film of splash cells, prevent them from forming and decomposing pigment, fade and eliminate flecks and splashes with metabolism; Ultrasonic can also enhance absorption of skincare products(e.g. Chinese Medicine Cream, High Unit Vitamin C and Freckle cream, etc.) With remarkable speckle eliminating effect.
4. Promoting circulation and removing stasis: With the mechanical massage effect of ultrasonic, it can adjust hypodermal cells and enhance permeability of cell films, accelerate blood circulation and metabolism on the other hand; It may take remarkable effect with proper skincare products of Promoting circulation and removing stasis.
5. Eliminate pouch and dark circle: Because mechanical massage of ultrasonic beauty equipment can accelerate blood circulation and lymph circulation, it can thin and decompose fat, accelerate hypodermal absorption and dispel over accumulation of water and fat to eliminate pouch and dark circle additionally with the thermodynamic effect. (In eye treatment with ultrasonic beauty equipment, it is required to massage by the probe as per the skin texture. Treatment of one pouch shall not exceed 5 minutes. It is required to massage gently and the probe shall not aim at eyeballs.)
6. Massage frequently to improve skin texture. It can eliminate speckles and acnes quickly if treating skin properly with ultrasonic beauty equipment, and improve or recover skin texture and cortin.

•Skin Scrubber:

Using the high-frequency ultrasonic vibration to drive the material near the shock head resonance, so that the material of original can be taken away to achieve cleaning. The characteristic of vibration with skin cleaning cream can be cleaned the oil on the surface of skin and residue material of cosmetic, and have good effect to clean the pimples, acne etc in deep skin.

•Galvanic:

Anion and cation conduction instrument is a kind of beauty equipment that makes use of direct current. It adopts the electricity principle of poles repel and opposite charges attract for skin care purpose. Because external harmful substances and metal ions of nonferrous cosmetics may penetrate into skin through horny cells and hair follicles, deposit in skin, it is difficult to discharge these substances in ordinary beauty treatment. In addition, with the increase in age, it is difficult for excretion of human body to meet the demand of skin. Skin requires more and more supplementary nutrition, but skin absorption ability is limited. Therefore, harmful substances in human body can be educted and nutrition can be conducted with anion and cation conduction instrument.

When beauty products are applied on skin in deliquescent condition, they can decompose and release ions. Under the effect of electric field of direct current, ions will make directional movement. Cation will move from the anode to the cathode and anion will move from the cathode to the anode. Medicine or essence ions will be penetrated into skin and form regional ion reactor. Medicine absorption concentration in regional skin is several times more than the absorption concentration of oral medicine so as to achieve relevant effects.

Function:

Anion and cation conduction instrument takes effect by putting electric current through human body with metal electrode and medicine conduction probe. When the anode of instrument is in working condition, polarity held in customer's hand is the anode. Because human body is positron, nutrition can be absorbed completely when the instrument is in conducting condition. When the cathode is in working condition after the button is switched to the cathode, polarity held in customer's hand is the cathode. Because human body is electron, harmful substances and metal ions etc. can be discharged out of human body when the instrument is in educting condition.

Anion and cation conduction instrument may carry out skin treatment in two measures of nutrition conduction and impurity eduction under the effect of direct current. Treatment effect of nutrition conduction is to enable water soluble nutrition (plant essence) to penetrate into skin more effectively and supply skin with nutrition and vitamins directly; Treatment effect of impurity eduction is to remove impurities, dead scurf, decompose fat on skin surface and balance fat secretion.

Anion and cation conduction instrument has both anode and cathode. When electric current in different polarities get through skin surface, it can incur different chemical reactions. Anion and cation conduction instrument has the following functions:

1. Positron (anode) can conduct acid solution into skin, comfort nerve, lessen blood supply, enhance fiber structure, shrink pores, decrease red scars, bring acid substance to skin, enhance cell permeability and conduct nutrition which is not easy to penetrate to the deep layer of skin as so to provide intensive treatment for skin. It is mainly used after beauty treatment to shrink pores, mitigate skin rubefaction and prevent skin inflammation after fat granule and skin treatment. It is suitable for dry skin (water insufficient skin), mature, aged skin (nutrition insufficient) and oily skin.
2. Electrode (cathode) can conduct alkaline solution into skin, stimulate nerve, enhance blood circulation, soften fiber structure, enhance skin elasticity, dissolve over accumulating fat in skin and balance skin secretion; Meanwhile, it can discharge impurities and heavy metal ions in the deep layer of skin. It is suitable for mature, aged skin and oily skin.

●High-Frequency Electrotherapy:

High Frequency can produce high speed vibration current and conduct to human body with

electrotherapeutics tube. Because there is inert gas, e.g. argon or neon, etc. in the electrotherapeutics tube, different inert gases in the tube will emit light in different colors when working with different assistant treatment effect; While high speed vibration current can be transformed to heat and produce ozone around the electrotherapeutics tube with better effect of sterilization. Because the vibrating frequency of current is very high, it will not make muscle shrink but with physiological stimulation effect.

High Frequency has the following functions:

- A. Stimulate Blood Circulation
 - B. Enhance Gland Activity
 - C. Assist in Excretion and Absorption
 - D. Promote Metabolism
 - E. Effect of Sterilization
 - F. Produce Heat in Skin Texture
 - G. Help Beauty and Skincare Products to Penetrate into the Deep Layer of Skin
- Lights in different colors will produce different assistant treatment effects after being absorbed by skin.

●Rotary Brush:

Using the energy to push the brush twirl for cleaning and massage skin. The function of cleaning can be wiped dirt in the surface skin, oil in the face, leftover of cosmetics, dried horniness off. While the function of massage can be make skin smooth and tender.

●Spray Vacuum:

It conducts positive and negative airstreams produced by vacuum pump to the particular position by physical measure and results in air pressure difference so as to take the function of vacuum and spray.

Vacuum: It makes use of the negative pressure airstream produced by vacuum pump to absorb softened blackheads, white heads, acnes and pustules on skin surface and clean impurities and oily dirt, etc. in pores.

Spray: It makes use of the positive pressure airstream produced by vacuum pump and sprays toning lotion, antiphlogistic fluid or toner, etc. in mist from a spray bottle. It can effectively shrink pores with antiphlogistic, antalgic and nourishing effect, etc.

More attention:

Please check the accessories if complete with packing list.

We are constantly working on updating the information and we therefore reserve the right to carry out technical modifications. Please excuse if there are changes will not be informed at once.