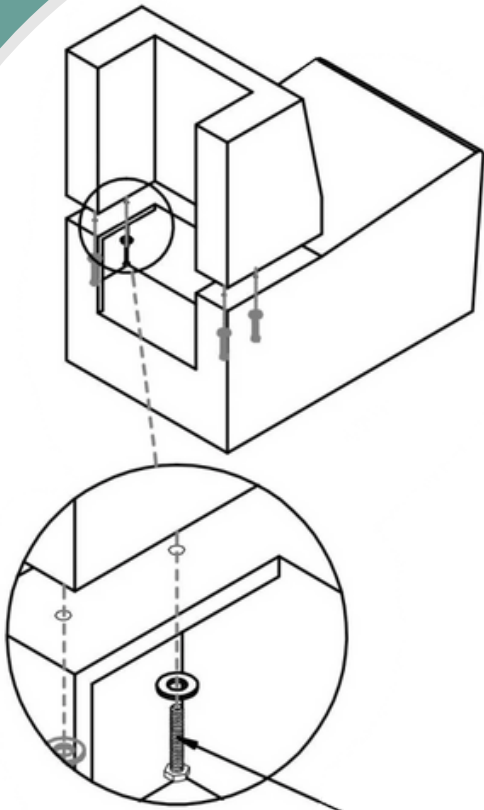


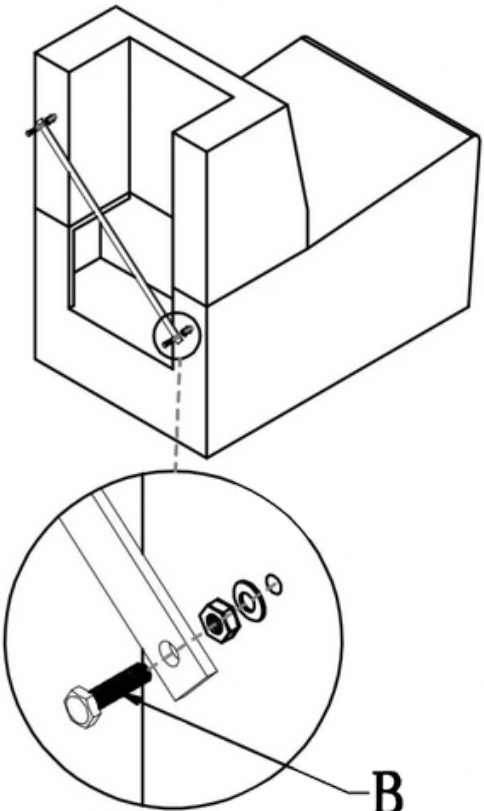
1



A=4

A

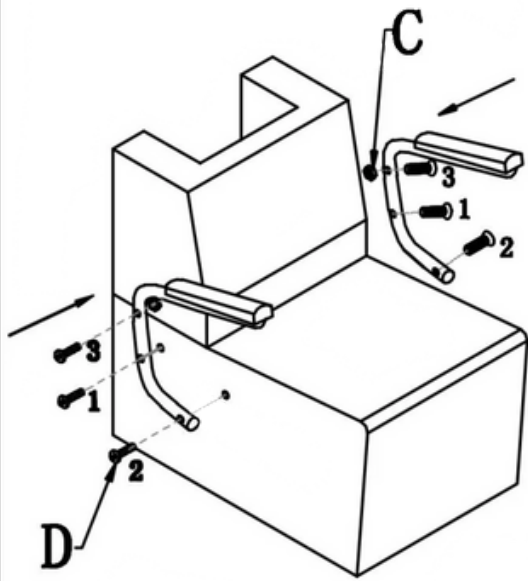
2



B=2

B

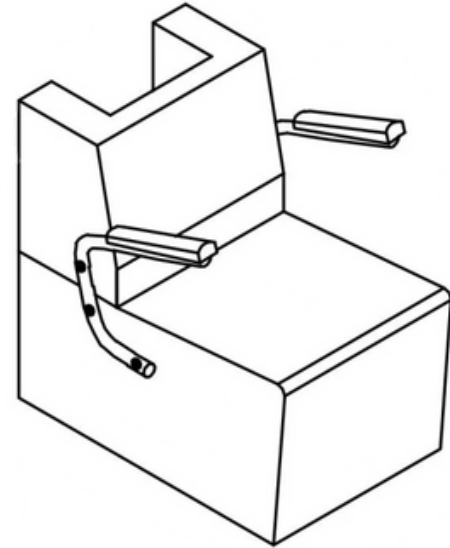
3



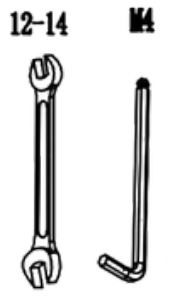
Fix the armrest to the chair according to step1, step2 and step3

C=2  
D=6

4



Install tool



No.	Fittings	sketch	Qty	Specification
A	Screw		4pcs	M8X35
B	Screw		2pcs	M6X25
C	Nut		2pcs	M8
D	Screw		6pcs	M6X45

Berkeley

**EDISON**  
HAIR DRYER CHAIR

DON-DYCHR-2431